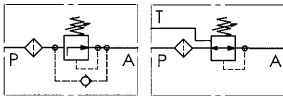


No. 6917E

Pressure control seat valve

screw-in type,
max. operating pressure 500 bar,
min. operating pressure 40 bar.



Order no.	Article no.	Input pressure at P max. [bar]	Adjust. pressure at A min. [bar]	Adjust. pressure at A max. [bar]	Q [l/min]	Return line press. at T [bar]	DI-1 Seal Order No.	Weight [g]
492330	6917E-2-130	500	8	130	6	-	407205	752
326462	6917E-3-130	500	8	130	6	≤ 20	407205	780
326686	6917E-2-380	500	30	380	12	-	407205	752
326488	6917E-3-380	500	30	380	12	≤ 20	407205	780

Design:

Leak-oil-free 3-way pressure regulating valve as clamp-in valve in seat design, directly actuated. For the 3-way pressure regulating valve, with additional oversteer compensation (integrated pressure-limitation function).

Screw-in thread M24 x 1.5.

Application:

The pressure regulating valve is normally open. With changing, higher input pressure, it maintains the output pressure largely constant. As soon as the set pressure is reached at the consumer, the valve closes and is sealed leak-proof. If the pressure between the valve output and the consumer rises above the set overload value, the excess pressure is reduced over the third connection (T-connection). The valve can be used in front of a directional control valve in the P-channel or behind a directional control valve in the A and/or B-channel. The additional tank connection for the 3-way valve must always be planned.

Features:

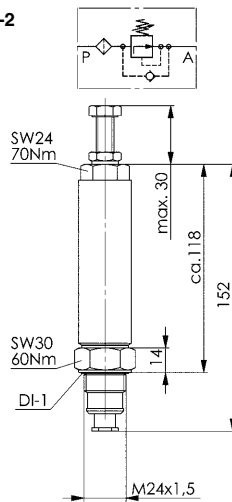
For the 3-way valve, the controlled pressure and overload pressure are set simultaneously with an adjusting screw. The overload pressure is always about 10 bar above the regulation pressure. Protection against outside force and puncturing of the valve.

The valve flow regulates P to A. The inlet P is protected against coarse contamination by a filter element with the nominal filter mesh of 100 µm. In the opposite direction at the valve (from A to P), the valve can be flowed through freely. To set and read the pressure, a pressure display device must be installed at the valve outlet. Pressure is adjusted with an adjusting screw. The pressure setting can be sealed.

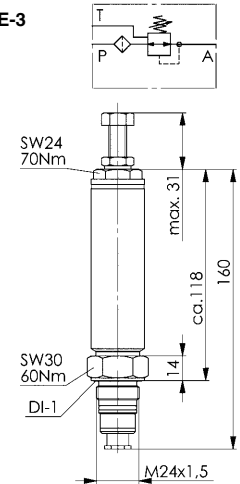
Note:

Observe mounting instructions.

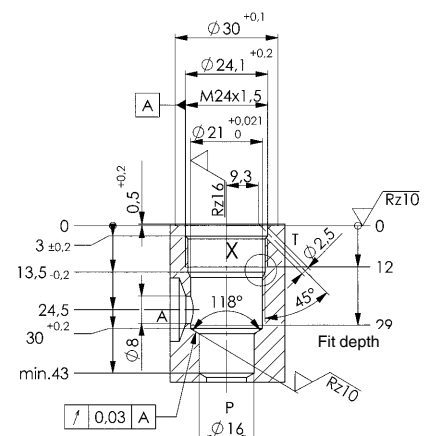
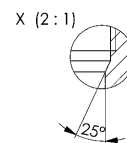
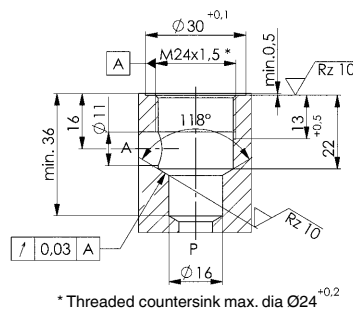
6917E-2



6917E-3



Installation dimensions:



Subject to technical alterations.

