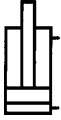


No. 6930D

Threaded Cylinder

double-acting,
max. working pressure 400 bar,
min. operating pressure 25 bar.



CAD

Order no.	Article no.	Push force at 100 bar [kN]	Push force at 400 bar [kN]	Pull force at 100 bar [kN]	Pull force at 400 bar [kN]	Stroke H ±1 [mm]	Vol. push [cm³]	Vol. pull [cm³]	Piston area push [cm²]	Piston area pull [cm²]	Md [Nm]	Weight [g]
320507	6930D-05	1,1	4,5	0,6	2,5	12	1,4	0,8	1,1	0,6	44	107
320515	6930D-08	2,0	8,0	1,2	4,9	16	3,2	2,0	2,0	1,2	77	186
320523	6930D-12	3,1	12,5	2,0	8,0	20	6,3	4,0	3,1	2,0	154	270
320531	6930D-20	4,9	19,6	2,9	11,6	25	12,3	7,3	4,9	2,9	301	519
320549	6930D-32	8,0	32,1	4,9	19,6	32	25,7	15,7	8,0	4,9	594	920
320556	6930D-50	12,5	50,2	7,6	30,6	40	50,2	30,6	12,5	7,7	1115	1639

Design:

Cylinder housing from hardened steel, burnished. Piston tempered, ground, nitrided, and treated with a corrosion-resistant coating. Oil supply via oil channel in fixture body.

Application:

These threaded cylinders can be used in all types of clamping fixtures. Ideal for pressure bars for tolerance compensation in multiple-workpiece clamping fixtures, and for positioning, holding or ejecting, and clamping workpieces. Can be used extending or retracting.

Features:

The O-rings are smaller than the diameter of the screw-in thread. This reduces the risk of damage to the seal during the installation process.

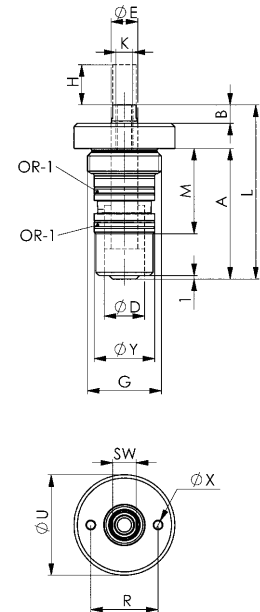
Two-piece body makes it easier to change the piston-rod seal. Housing seals against the surface of the hole sleeve. For sizes 05 and 08, there is additional sealing between the housing head and the fixture body.

Small dimensions, can be installed closely spaced side-by-side. The cylinder must be screwed into the fixture body up to its flange.

Note:

Maximum speed of operation 0.5 m/s

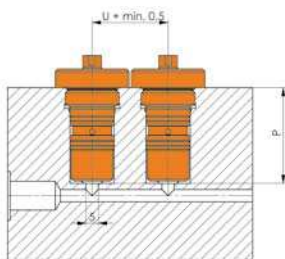
Can be supplied on request for higher pressures and temperatures.



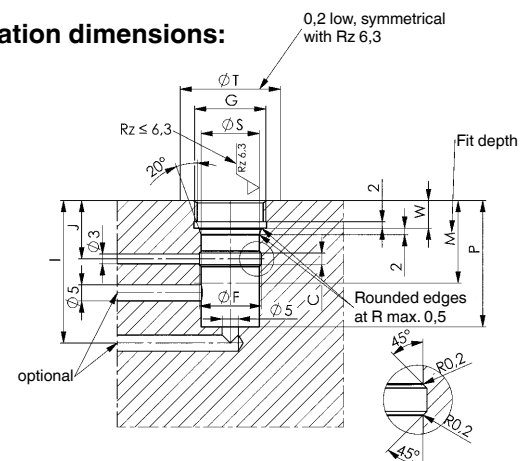
Dimensions:

Order no.	Article no.	A	B	C	dia. D	dia. E F7	F	G	I	J	K x depth	L ±1	M +1	P ±0,2	R	dia. S H7	min. dia. T	dia. U	W ±0,2	dia. X	dia. Y f7	SW	OR-1 O-ring Order No.
320507	6930D-05	39	5,5	3,6	12	8	19,2	M22x1,5	44	18,0	M5x11	52	25,5	39	20	18	31	30	8,5	2,5	18	7	321141
320515	6930D-08	48	6,0	4,0	16	10	23,0	M26x1,5	53	19,0	M6x14	65	30,0	48	25	22	33	31	8,5	2,5	22	8	321240
320523	6930D-12	53	7,0	4,0	20	12	29,2	M32x1,5	62	20,0	M8x14	67	31,5	53	30	28	38	37	10,5	4,2	28	10	320952
320531	6930D-20	65	7,0	4,4	25	16	35,8	M40x1,5	72	25,0	M10x18	82	39,0	65	35	35	45	44	13,5	5,2	35	13	321018
320549	6930D-32	72	10,0	4,4	32	20	44,8	M50x1,5	79	28,0	M12x18	94	44,0	72	42	44	55	54	15,5	6,2	44	17	320091
320556	6930D-50	86	12,0	5,2	40	25	56,2	M60x1,5	94	30,5	M16x28	112	47,0	86	50	55	66	65	19,0	6,2	55	22	321174

Application example:



Installation dimensions:



Subject to technical alterations.