

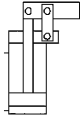
## No. 6942KK

### Link clamp

double acting,  
max. operating pressure 100 bar,  
min. operating pressure 15 bar.



CAD



Order no.	Article no.	Clamping force at 100 bar [kN]	Piston force at 100 bar [kN]	Clamping stroke [mm]	Total stroke [mm]	Extra stroke [mm]	Vol. Sp [cm <sup>3</sup> ]	Vol. Lo [cm <sup>3</sup> ]	eff. piston area Sp [cm <sup>2</sup> ]	eff. piston area Lo [cm <sup>2</sup> ]	Md max. [Nm]	Weight [g]
327486	6942KK-25	3,2	4,9	17,5	19,0	1,5	8,6	6,6	4,9	3,8	6,0	752
328484	6942KK-32	5,3	8,0	22,5	24,0	1,5	16,5	13,3	8,0	6,5	7,6	1098
328492	6942KK-38	7,5	11,3	24,5	26,0	1,5	27,8	22,9	11,3	9,3	11,0	1549
328583	6942KK-45	10,5	15,9	28,0	29,5	1,5	44,5	35,8	15,9	12,8	13,0	2362
552012	6942KK-56	17,0	25,5	33,0	34,5	1,5	84,2	71,7	25,5	21,7	28,0	3565

Sp = clamp, Lo = unclamp

### Design:

Cylinder housing from steel. Piston and hinge pins from hardened, tempered and nitrided steel. Metal wiper to protect the dirt wiper integrated into the housing. Supply scope includes hinge pins, tension plates, fastening screws but not clamping levers. The threaded connections are suitable for restrictor check valves no. 6916-12-XX. Oil supply via threaded connection or oil channel in the fixture body.

### Application:

Link clamps are used in clamping fixtures in which workpieces must be freely accessible and loaded from above. Particularly suitable for clamping in clamping pockets.

### Features:

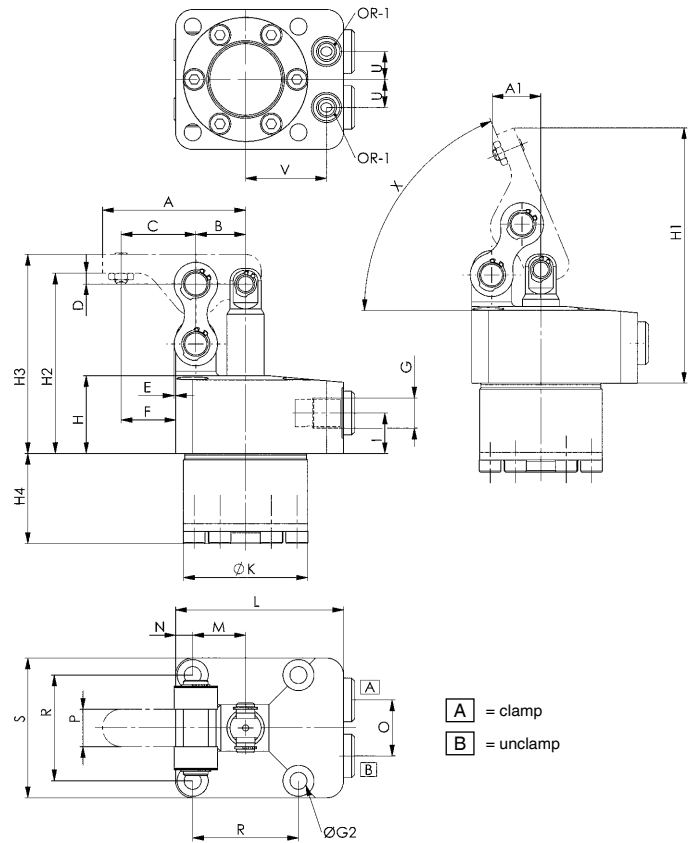
Top flange version, the horizontal centre axis at the standard lever and the pressure point on the workpiece lie in one plane. This prevents relative movement on the workpiece.

### Note:

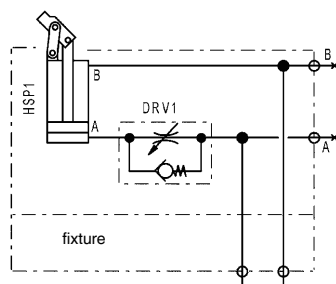
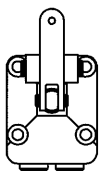
Maximum travel speed 0.5 m/s. The volumetric flow can be regulated via a restrictor check valve

The B to C leverage on the clamping levers is 1 to 1.5!

In the design of blank levers, deviations which lead to higher clamping forces are permitted only in exceptional cases. For sizes 32 and 45, screws with strength class 12.9 must be used.



### Installation direction of the clamping arm:



### Dimensions:

Order no.	Article no.	A	A1	B	C	D	E	F	G	H	H1	H2	H3	H4	I	dia. K	L	M	N	P	O	R	S	U	V	X	ØG2	OR-1 O-ring Order No.
327486	6942KK-25	46,00	15,8	16,0	24,0	3,5	0,5	17,5	G1/8	25	83	58,0	64,0	29,0	13	39,9	54	17,0	5,5	12,0	18	34	45	9	26,0	67,5	5,5	161810
328484	6942KK-32	53,25	13,7	18,5	28,0	3,5	2,0	21,0	G1/8	28	95	66,5	74,5	32,0	13	47,9	61	20,0	5,5	13,5	22	40	51	11	30,0	76,8	5,5	161810
328492	6942KK-38	60,50	16,0	21,0	31,5	3,0	1,5	22,5	G1/8	28	106	72,0	81,0	37,0	13	54,9	69	23,5	6,5	16,0	24	47	60	12	33,5	72,9	6,8	161810
328583	6942KK-45	71,00	18,7	24,5	37,0	3,0	2,5	26,5	G1/4	30	124	82,0	96,0	43,5	14	64,9	81	27,5	7,5	19,0	30	55	70	15	39,5	72,9	6,8	161810
552012	6942KK-56	86,00	30,2	30,0	45,0	3,0	2,5	32,5	G1/4	35	140	89,0	105,0	47,0	14	74,9	94,5	31,5	11,0	22,0	32	63	85	16	45,0	67,5	8,7	161810

Subject to technical alterations.