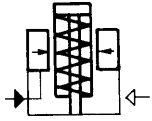


No. 6964L

Support Element, cartridge flange

Normally retracted. Air advanced, max. operating pressure 350 bar, min. operating pressure 50 bar.



CAD

| Order no. | Article no. | Contact force F1 [N] | Support force at 350 bar [kN] | Stroke C [mm] | Vol. [cm ³] | Md max. [Nm] | Weight [g] |
|-----------|-------------|----------------------|-------------------------------|---------------|-------------------------|--------------|------------|
| 165167 | 6964L-04-1 | 17,5* | 4,4 | 6,5 | 0,16 | 40,5 | 150 |
| 165183 | 6964L-11-1 | 35,5* | 11,0 | 9,5 | 0,33 | 40,5 | 340 |

* Contact force with max. 1.7 bar air pressure.

Design:

Cylinder body from steel, hardened. Support pin with internal thread case hardened and ground. Wiper to protect against dirt and cooling water. Internal parts from stainless steel. Oil supply via oil channel in fixture body.

Application:

The support element is used as an extra support to prevent sagging and vibration of a workpiece.

Features:

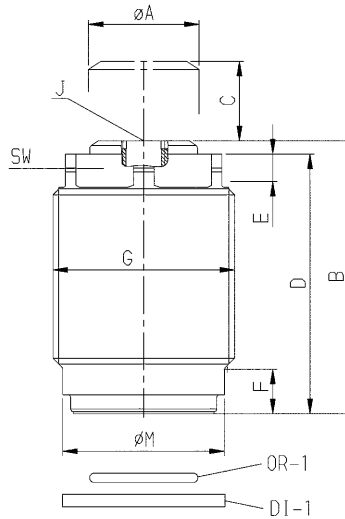
Element with high load capacity and low height. Pneumatic: the plunger is normally retracted. Sensitive adjustment of contact force by varying the air pressure.

Note:

Support pin must be protected against the entry of dirt and splash water by fitting a set screw or plug. When placing into operation, ensure that all air is bled from the system. Failure to do so can cause destruction of the clamping element by the escaping diesel effect.

The supporting force should be matched to the clamping force in order to absorb machining forces.

The supporting force should always be at least twice as high as the clamping force.

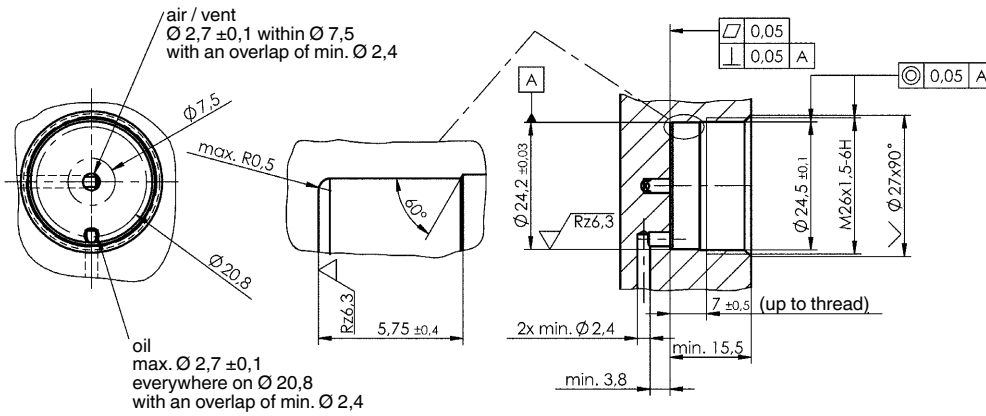


Dimensions:

| Order no. | Article no. | dia. A | B | D | E | F | G | J x depth | dia. M | SW | OR-1 O-ring Order No. | DI-1 Seal Order No. |
|-----------|-------------|--------|------|------|-----|-----|---------|-----------|--------|----|-----------------------|---------------------|
| 165167 | 6964L-04-1 | 16,0 | 41,0 | 40,5 | 5,5 | 7,5 | M26x1,5 | M6x7,5 | 24 | 23 | 479550 | 346270 |
| 165183 | 6964L-11-1 | 20,5 | 52,5 | 49,5 | 6,5 | 8,5 | M35x1,5 | M8x6,0 | 31 | 30 | 479618 | 550211 |

Installation dimensions:

6964L-04-1



6964L-11-1

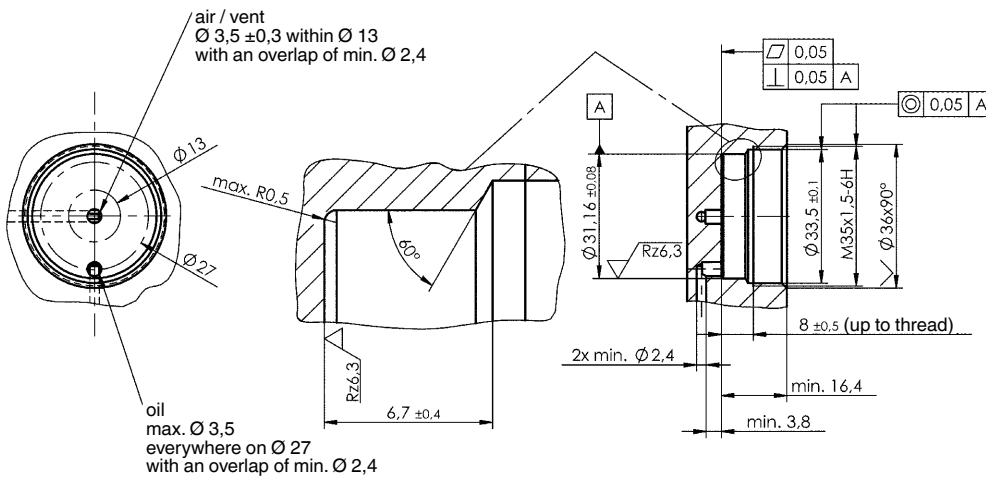
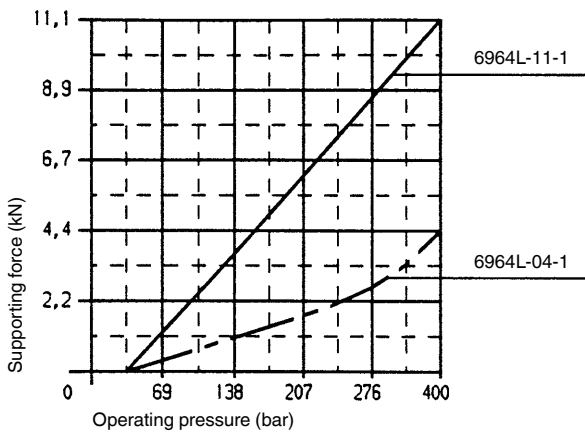


Diagram:



0.004 mm/kN elastic change in length under load