

No. 6206S4L

4-point clamping station

Pneumatic unlocking.
 Opening operating pressure:
 K10.3 min. 5 bar.
 K20.3 min. 4.5 bar.
 Steel, unhardened.
 Repeat accuracy < 0.005 mm.

Order no.	Size	Pull-in/locking force up to	Holding force*	Weight [Kg]
		[kN]	[kN]	
550251	K10.3	4 x 10	4 x 25	30
550255	K20.3	4 x 17	4 x 55	51

Design:

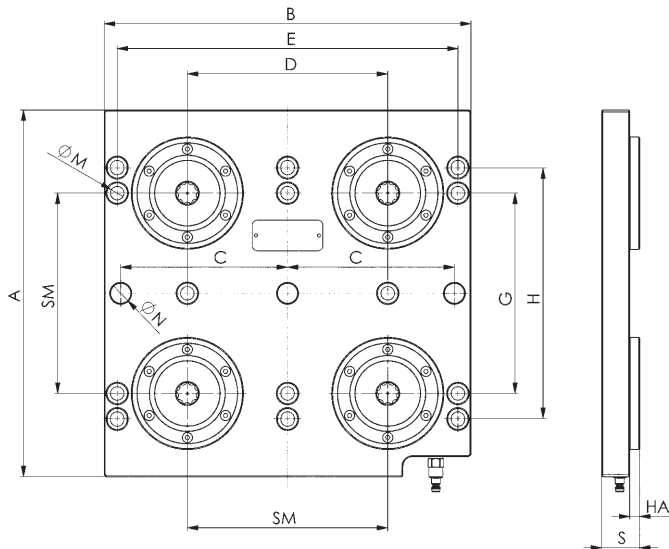
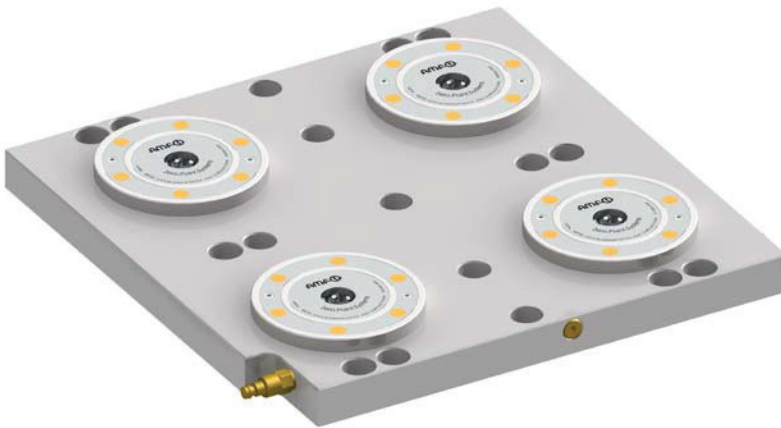
Pneumatic clamping station for setting time-optimised clamping on machine tables with groove spacing of 63, 100 and 125 mm. Fastening is via M12 socket head screws. At least two fitting bores are attached for alignment.
 The insertion dimension of the clamping modules is 200 mm.
 The pneumatic quick-coupler is premounted.

Advantage:

- Low overall height

Note:

* Please observe the installation instructions.



Dimensions:

Order no.	Size	A	B	C	D	E	G	H	HA	dia. N	dia. M	S	SM
550251	K10.3	366	366	166,5	200	340	200	250 - 252	10	20	13,5	38	200
550255	K20.3	399	399	183,5	200	370	200	250 - 252	15	20	13,5	53	200

