

No. 6208M

Clamping module, mechanical

Mechanical opening and closing.
Tempered steel, plasma-nitrided and burnished.
Repetition accuracy < 0.01 mm.

Order no.	Size	Pull-in/locking force up to	Holding force*	Tightening torque	Weight
		[kN]	[kN]	[Nm]	[g]
559678	K10	6	25	30	1064
562354	K20	10	55	30	3330

Application:

Mechanical zero point clamping system for time-optimised clamping during cutting and non-cutting machining. Especially suitable for the modular design of clamping solutions via zero point clamping system.

Note:

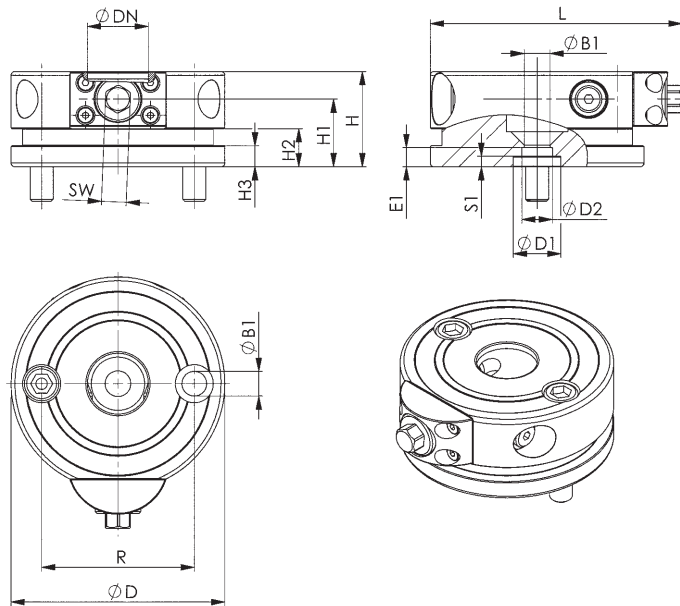
The mechanical assembly clamping module has high holding, pull-in and locking forces. The clamping module can be positioned on the machine table and fastened with standard clamping elements at the circumferential clamping rim. The positioning bore for stop sleeves and a through-hole for fastening onto grid plates with countersunk head screws are present underneath (observe the max. permitted screw force). The mounting bore for the K20 pull-stud is also in the module.

Pull-stud: The K10 and K20 versions of the pull-studs are used with this mechanical clamping module. The zero point, sword or undersize pull-stud can be used, depending on the application.

The fastening bolts are supplied as standard.

This clamping module can be used at ambient temperatures of up to max. 200°C.

* Please observe the installation instructions.



Dimensions:

Order no.	Size	dia. B1	dia. D	dia. D1 0/+0,01	dia. D2 F7	dia. DN	E1	H ±0.01	H1	H2	H3	L	R	S1	SW
559678	K10	9,0	78	15	15	22	4,5	32	22,0	-	-	93	50	-	10
562354	K20	13,5	112	25	16	32	10	50	35,5	20	11	132	80	5,5	13

CAD



Subject to technical alterations.