

No. 6974

Centring clamp MAXI with three clamping points

Double-acting,
max. operating pressure 250 bar,
min. operating pressure 10 bar.



CAD

Order no.	Article no.	Clamping force at 100 bar [kN]	Clamping force at 250 bar [kN]	Clamping points	Clamping Ø N - 1	Stroke H [mm]	Repeatability [mm]	Bolt Ø D1 [mm]	Weight [g]
328773	6974-3054	3,2	8,0	3	54-62	4,0	±0,02	12	1754
328815	6974-3061	3,2	8,0	3	61-69	4,0	±0,02	12	1754
328849	6974-3068	3,2	8,0	3	68-76	4,0	±0,02	12	1754
327593	6974-3076	5,0	12,5	3	76-84	5,2	±0,02	14	1754
328856	6974-3083	5,0	12,5	3	83-91	5,2	±0,02	14	1754
328898	6974-3090	5,0	12,5	3	90-98	5,2	±0,02	14	1754
329003	6974-3098	8,0	20,0	3	98-109	6,9	±0,02	18	3432
329045	6974-3109	8,0	20,0	3	109-120	6,9	±0,02	18	3603
329086	6974-3119	8,0	20,0	3	119-130	6,9	±0,02	18	3773

Design:

Double-acting centring clamp with three clamping points.
All components from high-grade hardened and nitrided steel. Oil supply via oil channel in fixture body.

Application:

For centring and clamping workpieces with machined or cast holes, cutouts or penetrations.
Element screwed directly onto the fixture body, sealed with O-ring.

Features:

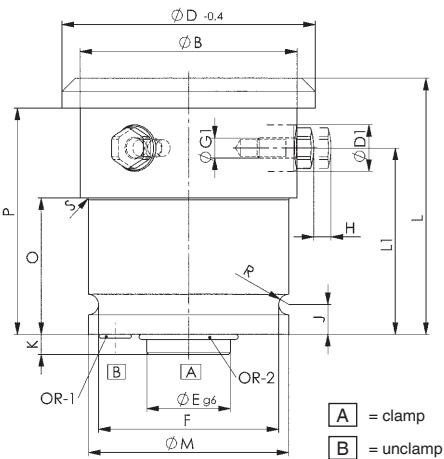
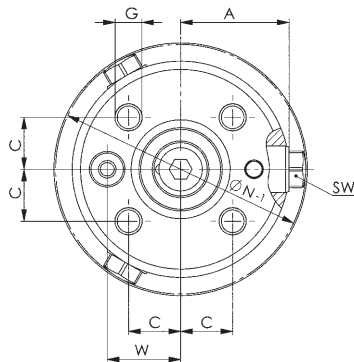
If the centring clamp is fastened from below, oil is supplied through conduits drilled in the fixture body.
If the centring clamp is fastened from above and oil supplied through conduits drilled in the fixture body, a connection plate for O-ring connection is needed.
If the centring clamp is fastened from above and oil supplied through pipes, a connection plate for pipe connection is needed. Pressure pieces are replaceable.

Note:

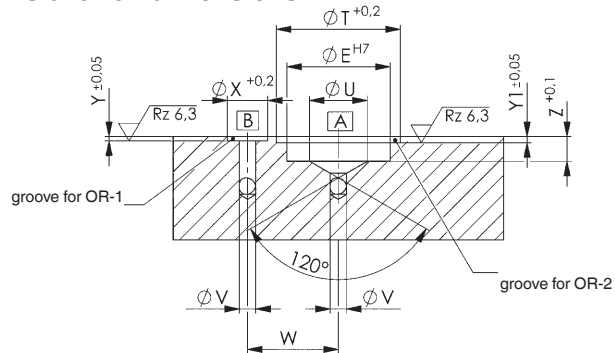
The practical combination of 2-point and 3-point elements can avoid over-determined clamping states. Unsuitable for use on lathes.

On request:

Other sizes available on request.



Installation dimensions:



Dimensions:

Order no.	Article no.	A	dia. B	C	dia. D -0,4	dia. E g6/h7	F	G	G1	J	K	L	L1	dia. M	O	P	R	S	SW	dia. T	dia. U	dia. V	W	dia. X	Y	Y1	Z	OR-1 O-ring Order No.	OR-2 O-ring Order No.
328773	6974-3054	22,9	45	11,3	53,9	16	40	M6x12	M6	8	6	65,0	45	45	0	57,0	2,6	0	10	20,5	8	3	16,8	7,7	1,1	1,5	6	409508	537985
328815	6974-3061	22,9	45	11,3	60,9	16	40	M6x12	M6	8	6	65,0	45	45	0	57,0	2,6	0	10	20,5	8	3	16,8	7,7	1,1	1,5	6	409508	537985
328849	6974-3068	22,9	45	11,3	67,9	16	40	M6x12	M6	8	6	65,0	45	45	0	57,0	2,6	0	10	20,5	8	3	16,8	7,7	1,1	1,5	6	409508	537985
327593	6974-3076	32,5	65	15,6	75,9	25	54	M8x16	M6	9	6	77,0	56	60	41	68,0	3,1	0,5	11	30,0	14	4	22,0	9,8	1,1	1,5	6	537969	321265
328856	6974-3083	32,5	65	15,6	82,9	25	54	M8x16	M6	9	6	77,0	56	60	41	68,0	3,1	0,5	11	30,0	14	4	22,0	9,8	1,1	1,5	6	537969	321265
328898	6974-3090	32,5	65	15,6	89,9	25	54	M8x16	M6	9	6	77,0	56	60	41	68,0	3,1	0,5	11	30,0	14	4	22,0	9,8	1,1	1,5	6	537969	321265
329003	6974-3098	42,5	85	19,1	97,9	32	67	M10x20	M8	10	6	91,0	64	74	47	80,0	3,6	2,5	13	36,6	16	5	27	10,8	1,1	1,3	6	542464	542308
329045	6974-3109	42,5	85	19,1	108,9	32	67	M10x20	M8	10	6	91,0	64	74	47	80,0	3,6	2,5	13	36,6	16	5	27	10,8	1,1	1,3	6	542464	542308
329086	6974-3119	42,5	85	19,1	118,9	32	67	M10x20	M8	10	6	91,0	64	74	47	80,0	3,6	2,5	13	36,6	16	5	27	10,8	1,1	1,3	6	542464	542308

Subject to technical alterations.