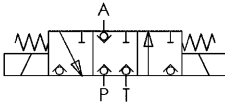


No. 6910A-07-02

Seat Valve, 3/3-Way

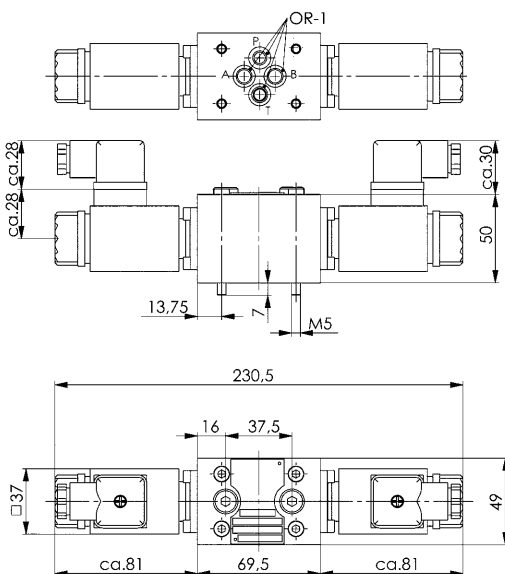
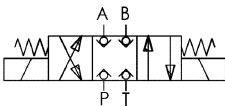
for O-ring joint,
max. operating pressure 400 bar,
min. operating pressure 10 bar.



No. 6911A-07-01

Seat Valve, 4/3-Way

for O-ring joint,
max. operating pressure 400 bar,
min. operating pressure 10 bar.



Order no.	Article no.	NG	Q [l/min]	OR-1 O-ring Order No.	Viscosity [cSt]	U [V DC]	Weight [g]
322073	6910A-07-02	6	20	493478	10-500	24	2356

Order no.	Article no.	Ambient temp. [°C]	P [W]	Switching time on/off [ms]	Ed to 35°C [%]	Switching frequency per hour	Ingress protection
322073	6910A-07-02	-40 - +80	27,6	100/50	100	2000	IP67

Order no.	Article no.	NG	Q [l/min]	OR-1 O-ring Order No.	Viscosity [cSt]	U [V DC]	Weight [g]
322065	6911A-07-01	6	20	493478	10-500	24	2356

Order no.	Article no.	Ambient temp. [°C]	P [W]	Switching time on/off [ms]	Ed to 35°C [%]	Switching frequency per hour	Ingress protection
322065	6911A-07-01	-40 - +80	27,6	100/50	100	2000	IP67

Design:

Oil-leak-free, sealed directional seat valves with standard mounting face NG 6. The hole pattern is standardised at the national, European and international levels. The dimensions are recorded in the standards DIN 24340-Form A, CETOP R 35 H and ISO 4401. The valves are actuated electromagnetically. The device socket as per DIN / EN 175301-803 is included in the scope of delivery.

Application:

The 3/3 and 4/3 directional seat valves determine the direction of oil flow. These valves are mainly used for direct control of single-acting and double-acting consumers.

Features:

With electrically current-free magnets, the valves take the closed neutral position. All connections are hermetically sealed due to the seat design.

If both magnets are energised simultaneously, this creates a fourth switch position in which all connections are connected to the tank line and are thus pressure-free. In this switch position, the consumer lines can be easily coupled.

A ball check valve is also inserted in the P-channel. This check valve prevents an undesired pressure compensation in the case of circuit overlaps. The seal between the valves and the counter-flange surfaces is made with O rings.

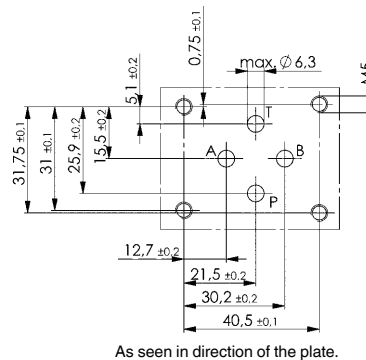
Note:

Spare part: Plug-in check valve, order no. 402156

On request:

Directional seat valve with control voltage 230 V AC 50/60 Hz.

Hole pattern shape A nominal size 6 according to DIN 24340 T2:



CAD



CAD