

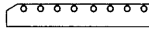
No. 6945-22-20

Clamping Bar, long

single acting, with spring return,
max. operating pressure 400 bar.

Order no.	Article no.	Clamping force at 400 bar [kN]	Stroke [mm]	Vol. total [cm ³]	min. spring force per piston [N]	Weight [g]
61689	6945-22-20-2x3	2 x 60	6	17,4	120	6000
61630	6945-22-20-1x6	120	6	17,4	120	6000

Suitable spacer bar:



6945-22-07

Design:

Cylinder body made of tempering steel, phosphated. Piston case-hardened and ground, built-in return spring, with stroke limitation.

Application:

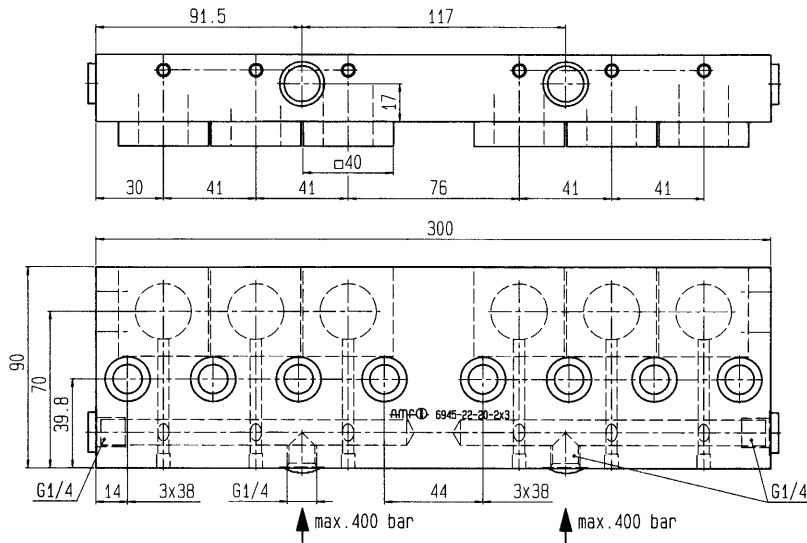
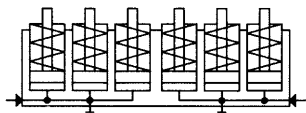
For quick clamping and unclamping on press table or ram. Suitable for workpieces with uniform clamping rim. The clamping bar is bolted with a spacer bar directly onto the press table or press ram. Suitable spacer bar is No. 6945-22-07.

On request:

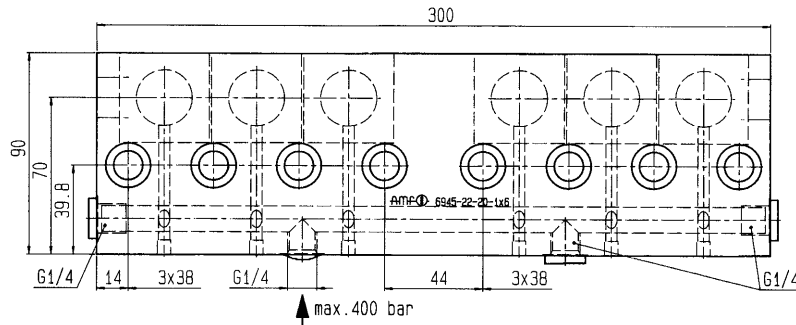
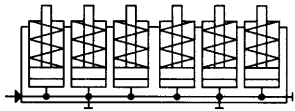
Special sizes available on request.



6945-22-20-2x3



6945-22-20-1x6



CAD

Subject to technical alterations.