

No. 6951N

Swing Clamp Arm, long



Order no.	Article no.	A	B	C	D	dia. E	G	J	K	L	M	N	R	Weight [g]
69161	6951N-22-165	165,0	71,1	28,5	18,4	31,75 +0,05	43,8	12,5	22,5	M16x1,5	71,1	25°	25,5	1161
60855	6951N-33-180	180,3	68,3	30,2	33,8	38,11 +0,05	44,5	14,2	25,6	M16x1,5	44,9	25°	35,0	1996

Design:

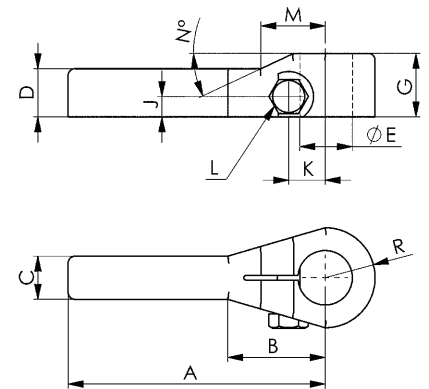
Tempered and blued steel.

Application:

For swing clamps
 order no. 69161 for sizes 6951xx-22-xx, 6941KP-11-xx
 order no. 60855 for sizes 6951xx-33-xx

Note:

Clamping pressure, flow volume and clamping arm weight must be observed. Clamp arms can be shortened where necessary. Special versions available on request.



No. 6951N

Swing Clamp Arm, double ended



Order no.	Article no.	A	2A	B	C	D	dia. E	G	J	K	L	N	R	Weight [g]
69526	6951N-22-280	140,0	280,0	70,5	28,5	18,4	31,75 +0,05	43,8	12,5	22,5	M16x1,5	25°	25,5	1869
60863	6951N-33-360	180,3	360,7	44,6	30,2	33,8	38,11 +0,05	44,5	14,2	25,6	M16x1,5	25°	35,0	3311

Design:

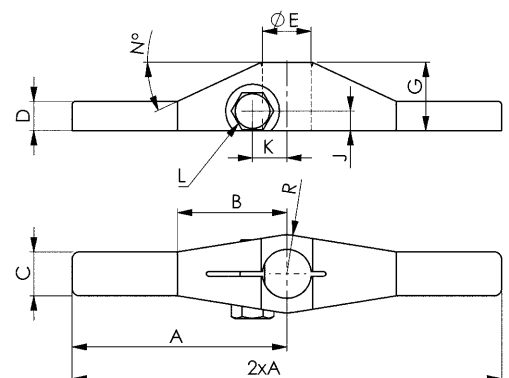
Tempered and blued steel.

Application:

For swing clamps
 order no. 69526 for sizes 6951xx-22-xx, 6941KP-11-xx
 order no. 60863 for sizes 6951xx-33-xx

Note:

Clamping pressure, flow volume and clamping arm weight must be observed. Clamp arms can be shortened where necessary. It is also essential that clamping or support heights in either side are identical. Special versions available on request.



Subject to technical alterations.