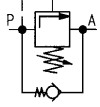


No. 6918-XX-XXX

Sequence valve, threaded design

Max. operating pressure 350 bar.



NEW!



Order no.	Article no.	Setting pressure set at factory [bar]	Setting range at A [bar]	L max.	B	C	dia. E	F	G	SW	SW1	SW2	Md max. [Nm]	Md 1 max. [Nm]	Q max. [l/min]	Weight [g]
562224	6918-30-50	50	20 - 60	28,0	15,16	20,3	17,5	5,6	G1/8	16	14	4	16	7	3,8	37
562225	6918-30-100	100	35 - 150	28,0	15,16	20,3	17,5	5,6	G1/8	16	14	4	16	7	3,8	37
562226	6918-30-200	200	125 - 275	31,7	15,16	24,0	17,5	5,6	G1/8	16	14	4	16	7	3,8	45
562227	6918-40-50	50	20 - 55	34,5	18,72	27,4	21,0	5,0	G1/4	19	17	4	27	7	3,8	68
562228	6918-40-100	100	35 - 150	34,5	18,72	27,4	21,0	5,0	G1/4	19	17	4	27	7	3,8	72
562229	6918-40-200	200	125 - 275	31,8	18,72	24,6	21,0	5,0	G1/4	19	17	4	27	7	3,8	72

Design:

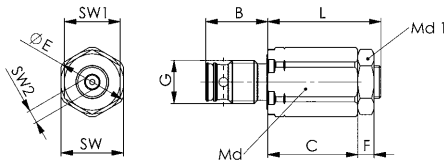
Housing from steel, hardened and burnished.

Application:

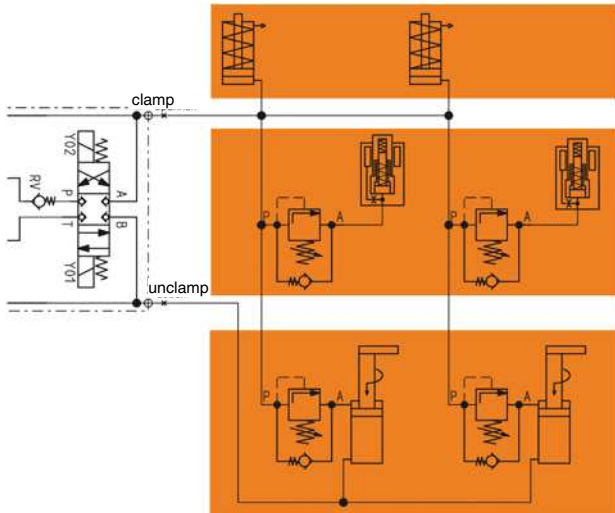
The sequence valve is used in cases where another consumer is connected to the circuit after a set pressure has been reached. The sequence valve ensures a controlled clamping sequence. Once a defined pressure is reached, another hydraulic circuit is opened.

Note:

The sequence valve can be screwed directly into the threaded connection for the swing clamp top flange and base flange types 6951KP, 6951FP, 6941KP and link clamp 6942KK. The oil must be supplied via the O-ring connection. The sequence valve can be screwed directly into fixtures as well.



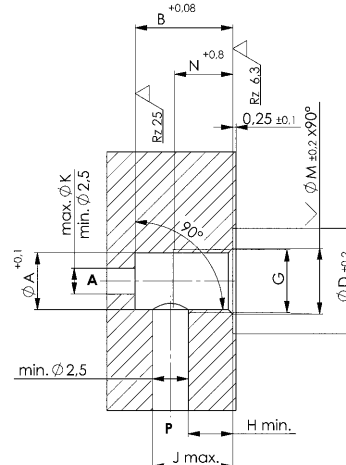
Hydraulic diagram:



- Clamping sequence
1. Single-acting cylinder
 2. Support element
 3. Swing clamp

Installation dimensions:

Order no.	Article no.	dia. A	B +0.08	dia. D	G	H min.	J max.	K max.	dia. M	N
562224	6918-30-50	8,8	15,16	16,5	G1/8	6	12,83	7	9,9	8,5
562225	6918-30-100	8,8	15,16	16,5	G1/8	6	12,83	7	9,9	8,5
562226	6918-30-200	8,8	15,16	16,5	G1/8	6	12,83	7	9,9	8,5
562227	6918-40-50	11,9	18,72	21,5	G1/4	10	16,39	10	13,3	12,5
562228	6918-40-100	11,9	18,72	21,5	G1/4	10	16,39	10	13,3	12,5
562229	6918-40-200	11,9	18,72	21,5	G1/4	10	16,39	10	13,3	12,5



Subject to technical alterations.