

No. 6800B

Vertical toggle clamp, black

With open clamping arm and horizontal base.

Matte black surface. Rivets made of stainless steel, which, for sizes 2 and 3, run in hardened bushings. Bearings are pre-lubricated.

Ergonomic, oil-resistant black handle with large grip surface and soft components. Safety clamping piece with finger protection. Lock washer for the thrust bolt at the end of the clamping arm.

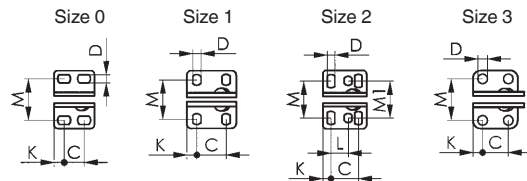
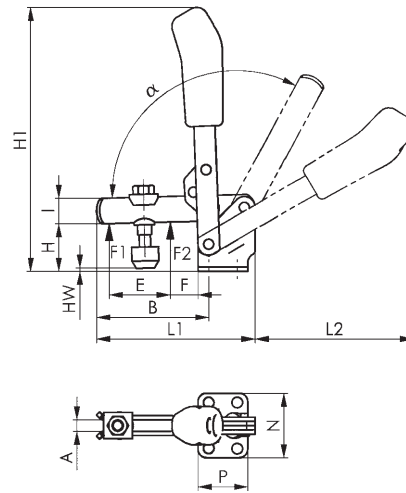
Complete with tempered, matte-black clamping screw no. 6890B.

Order no.	Size	F1 [kN]	F2 [kN]	Clamping screw	Weight [g]
90167	0	0,5	0,7	M4x34,5	60
90175	1	0,6	1,1	M5x38,0	105
90183	2	0,8	1,2	M6x46,0	175
90191	3	1,2	2,5	M8x63,0	410

Note:

These clamps are suitable for photogrammetric use. The matte-black surface of the clamps prevents reflection while photographing.

For suitable clamping arm extension see no. 6896.



Recommendations



No. 6890B,
page 165



No. 6802B,
page 119



No. 6800BS,
page 125

Dimensions:

Order no.	Size	A	B	C	D	E	F	H	H1	HW min.	HW max.	I	K	L	L1	L2	M	M1	N	P	α	α^*
90167	0	4	32	8,5-13,5	4,5	14	5,5	18	81,0	-4,0	6,5	8	5,5	-	49,0	50,0	23,0	-	32	22	95°	-
90175	1	5	39	16	4,5	18	6,0	19	97,5	-3,7	1,6	10	5,5	-	61,0	58,0	22,5-26	-	34	27	95°	-
90183	2	6	52	20	5,5	25	11,0	23	140,0	-4,4	4,4	12	6,0	12,5	78,0	89,0	23,0-31	27	43	32	105°	60°
90191	3	8	79	20	7,5	36	19,0	33	188,0	-2,8	7,0	18	7,5	-	111,5	111,5	32,5	-	46	35	105°	60°

* The opening angle can be changed by pressing in a stop pin.

CAD



Subject to technical alterations.

No. 6802B

Vertical toggle clamp, black

With open clamping arm and vertical base.

Matte black surface. Rivets made of stainless steel, which, for sizes 2 and 3, run in hardened bushings. Bearings are pre-lubricated.

Ergonomic, oil-resistant black handle with large grip surface and soft components. Safety clamping piece with finger protection. Lock washer for the thrust bolt at the end of the clamping arm.

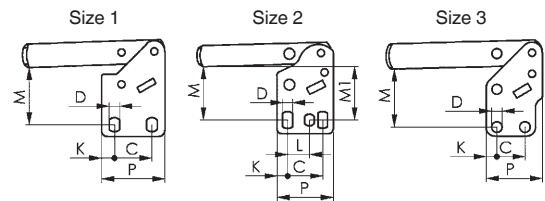
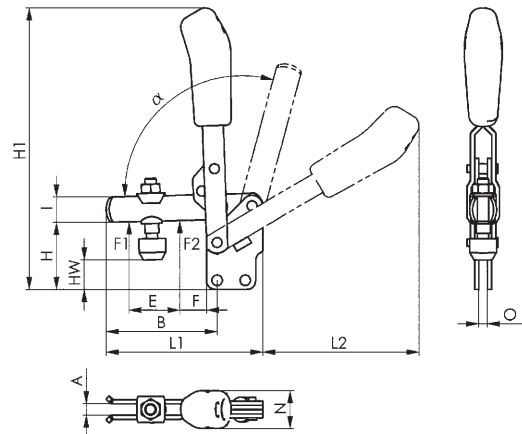
Complete with tempered, matte-black clamping screw no. 6890B.

Order no.	Size	F1 [kN]	F2 [kN]	Clamping screw	Weight [g]
90415	1	0,6	1,1	M5x38	105
90472	2	0,8	1,2	M6x46	175
90498	3	1,2	2,5	M8x63	410

Note:

These clamps are suitable for photogrammetric use. The matte-black surface of the clamps prevents reflection while photographing.

For suitable clamping arm extension see no. 6896.



Recommendations



No. 6890B,
page 165



No. 6802BS,
page 126



No. 6841B,
page 124

Dimensions:

Order no.	Size	A	B	C	D	E	F	H	H1	HW min.	HW max.	I	K	L	L1	L2	M	M1	N	O	P	α	α^*
90415	1	5	39	16	4,5	18	6	29	110,5	6,8	12	10	5,5	-	61	58	23,5-25	-	19	5	27	95°	-
90472	2	6	52	20	5,5	25	11	38	144,5	10,5	19	12	6,0	12,5	78	80	28,5-32	30	21	5	32	105°	60°
90498	3	8	79	20	7,5	36	19	48	201,0	11,4	21	18	7,5	-	112	113	41	-	27	6	40	105°	60°

* The opening angle can be changed by pressing in a stop pin.



No. 6830B

Horizontal toggle clamp, black

With open clamping arm and horizontal base.

Matte black surface. Rivets made of stainless steel, which, for sizes 2 and 3, run in hardened bushings. Bearings are pre-lubricated.

Ergonomic, oil-resistant black handle with large grip surface and soft components. Lock washer for the thrust bolt at the end of the clamping arm.

Complete with tempered, matte-black clamping screw no. 6890B.

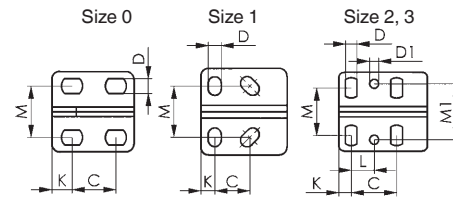
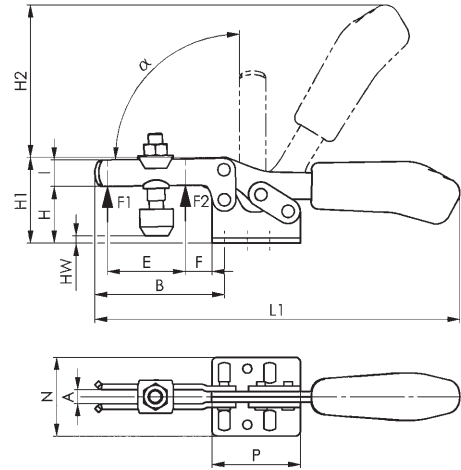
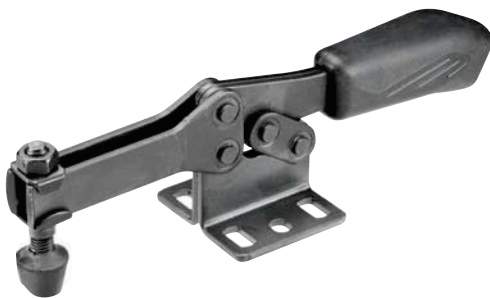
Order no.	Size	F1 [kN]	F2 [kN]	Clamping screw	Weight [g]
90423	0	0,3	0,4	M4x34,5	35
90480	1	0,8	1,1	M5x38	105
90506	2	1,0	1,2	M6x46	185
90522	3	1,8	2,5	M8x63	320

Note:

These clamps are suitable for photogrammetric use. The matte-black surface of the clamps prevents reflection while photographing.

For suitable clamping arm extension see no. 6896.

For suitable sensor monitor for size 3 see no. 6897S.



Recommendations



No. 6890B,
page 165



No. 6832B,
page 121



No. 6841B,
page 124

Dimensions:

Order no.	Size	A	B	C	D	D1	E	F	H	H1	H2	HW min.	HW max.	I	K	L	L1	M	M1	N	P	α
90423	0	4	28	11,5-15,5	4,6	-	9,0	5,5	14,5	23,0	34,0	-7,4	2,7	7,5	6,25	-	79	16,0	-	25,0	25,5	90°
90480	1	5	42	13,0-14,5	5,2	-	18,8	8,0	19,0	30,0	49,0	-3,6	1,8	10,0	5,50	-	120	18,0-21,5	-	34,0	34,0	90°
90506	2	6	64	26,0	5,6	5,6	32,0	16,0	24,0	45,0	66,3	-2,6	5,0	13,2	6,00	12,7	162	19,5-29,5	28,5	42,0	38,0	90°
90522	3	8	73	25,7	6,5	5,1	37,0	14,0	32,0	48,5	86,0	-7,4	5,0	15,0	7,00	-	206	22,0-31,8	31,6	45,5	50,0	90°

CAD



Subject to technical alterations.

No. 6832B

Horizontal toggle clamp, black

With open clamping arm and vertical base.

Matte black surface. Rivets made of stainless steel, which, for sizes 2 and 3, run in hardened bushings. Bearings are pre-lubricated.

Ergonomic, oil-resistant black handle with large grip surface and soft components. Lock washer for the thrust bolt at the end of the clamping arm.

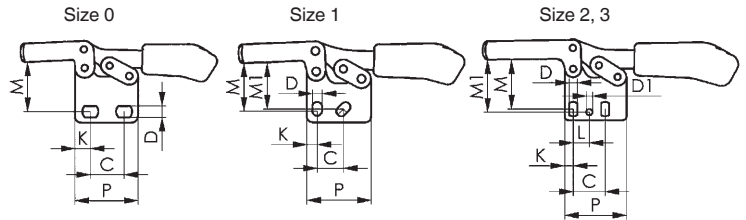
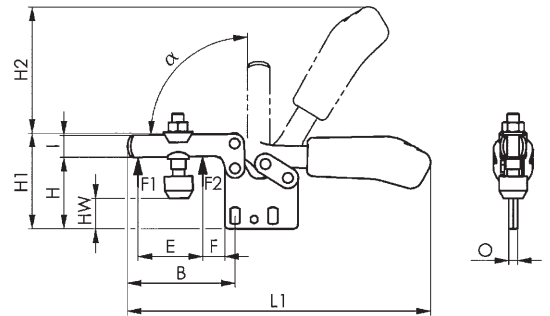
Complete with tempered, matte-black clamping screw no. 6890B.

Order no.	Size	F1 [kN]	F2 [kN]	Clamping screw	Weight [g]
90290	0	0,3	0,4	M4x34,5	35
90308	1	0,8	1,1	M5x38	105
482471	1	0,8	1,1	-	95
90530	2	1,0	1,2	M6x46	185
456400	2	1,0	1,2	-	170
90381	3	1,8	2,5	M8x63	320
482497	3	1,8	2,5	-	280

Note:

These clamps are suitable for photogrammetric use. The matte-black surface of the clamps prevents reflection while photographing.

For suitable clamping arm extension see no. 6896.



Recommendations



No. 6890B,
page 165



No. 6830B,
page 120



No. 6800B,
page 118

Dimensions:

Order no.	Size	A	B	C	D	D1	E	F	H	H1	H2	HW min.	HW max.	I	K	L	L1	M	M1	N	O	P	α
90290	0	4	28,0	11,5-15,5	4,6	-	9,0	5,5	24,5	33	34	2,2	13,7	7,5	6,25	-	79,0	20,0	-	12	3	25,5	90°
90308	1	5	41,7	13,0-15,5	5,2	-	18,5	8,0	31,5	43	49	8,9	14,8	10,0	5,50	-	119,7	23,5-25,5	24,5	18	5	34,0	90°
482471	1	5	41,7	13,0-15,5	5,5	-	18,5	8,0	31,5	43	49	-	-	10,0	5,50	-	119,7	23,5-25,5	24,5	18	5	34,0	90°
90530	2	6	64,0	26,0	5,6	5,6	32,0	16,0	40,0	61	68	14,0	22,0	13,2	6,00	12,7	164,0	29,5-34,0	34,0	21	5	38,0	90°
456400	2	6	64,0	26,0	5,6	5,6	32,0	16,0	40,0	61	68	-	-	13,2	6,00	12,7	164,0	29,5-34,0	34,0	21	5	38,0	90°
90381	3	8	73,0	25,7	6,5	5,1	39,0	12,0	49,0	65	86	9,5	22,0	15,0	7,00	13,0	206,0	37,5-42,5	42,0	27	6	50,0	90°
482497	3	8	73,0	25,7	6,5	5,1	39,0	12,0	49,0	65	86	-	-	15,0	7,00	13,0	206,0	37,5-42,5	42,0	27	6	50,0	90°

