

No. 6800BS

Vertical toggle clamp with safety latch, black

For open and clamped positions. With open clamping arm and horizontal base.

Matte black surface. Stainless steel rivets, which run in hardened bushes. Bearings are pre-lubricated.

Ergonomic, oil-resistant black handle with large grip surface and soft components. Safety clamping piece with finger protection.

Lock washer for the thrust bolt at the end of the clamping arm.

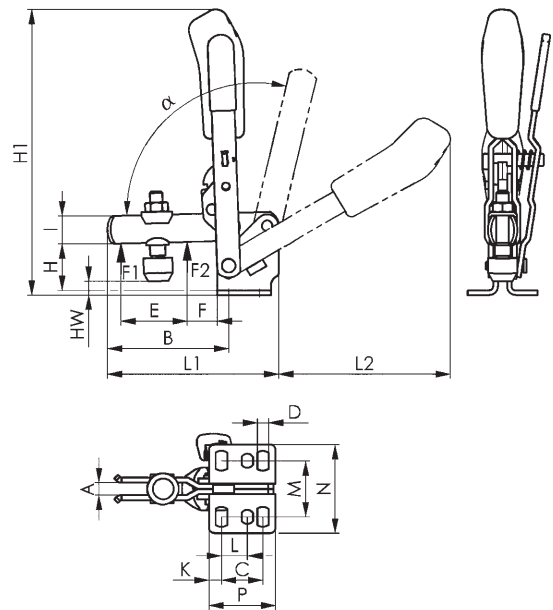
Complete with tempered, matte-black clamping screw no. 6890B.

Order no.	Size	F1 [kN]	F2 [kN]	Clamping screw	Weight [g]
91348	2	1,0	1,2	M6x46	260

Note:

These clamps are suitable for photogrammetric use. The matte-black surface of the clamps prevents reflection while photographing.

For suitable clamping arm extension see no. 6896.



Recommendations



No. 6890B,
page 165



No. 6800B,
page 118



No. 6802B,
page 119

Dimensions:

Order no.	Size	A	B	C	D	E	F	H	H1	HW min.	HW max.	I	K	L	L1	L2	M	N	P	α	α^*
91348	2	6	52	20	5,5	26	11	23	139	-4,4	4,4	12	6	12,5	78	88	23-31	43	32	105°	60°

* The opening angle can be changed by pressing in a stop pin.



No. 6802BS

Vertical toggle clamp with safety latch, black

For open and clamped positions. With open clamping arm and vertical base.

Matte black surface. Stainless steel rivets, which run in hardened bushes. Bearings are pre-lubricated.

Ergonomic, oil-resistant black handle with large grip surface and soft components. Safety clamping piece with finger protection.

Lock washer for the thrust bolt at the end of the clamping arm.

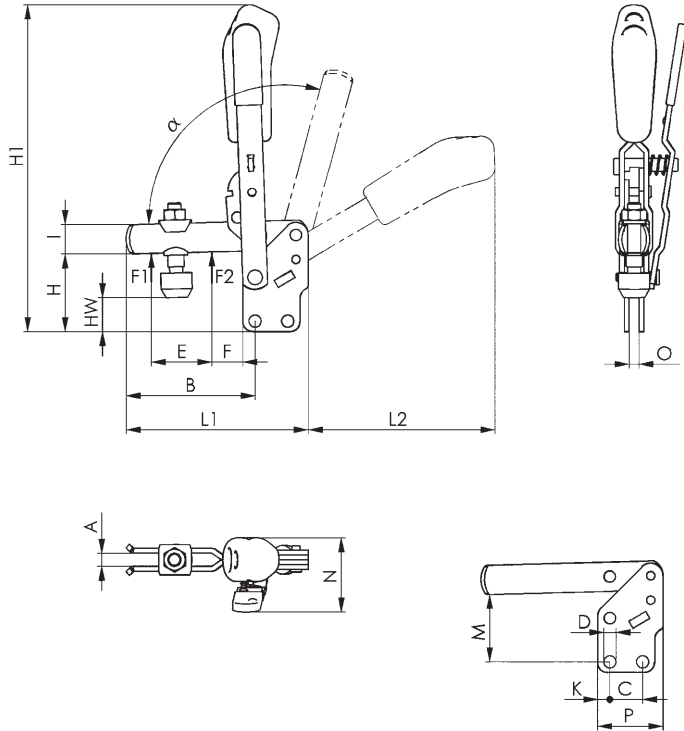
Complete with tempered, matte-black clamping screw no. 6890B.

Order no.	Size	F1 [kN]	F2 [kN]	Clamping screw	Weight [g]
99689	3	1,2	2,5	M8x63	470

Note:

These clamps are suitable for photogrammetric use. The matte-black surface of the clamps prevents reflection while photographing.

For suitable clamping arm extension see no. 6896.



Recommendations



No. 6890B,
page 165



No. 6802B,
page 119



No. 6800B,
page 118

Dimensions:

Order no.	Size	A	B	C	D	E	F	H	H1	HW min.	HW max.	I	K	L1	L2	M	N	O	P	α	α*
99689	3	8	79	20	7,5	37	19	48	200	16,5	25	18	7,5	112	114	41	45,5	6	40	105°	60°

* The opening angle can be changed by pressing in a stop pin.



CAD

No. 6832BS

Horizontal toggle clamp with safety latch, black

For open and clamped positions. With open clamping arm and vertical base.

Matte black surface. Stainless steel rivets, which run in hardened bushes. Bearings are pre-lubricated.

Ergonomic, oil-resistant black handle with large grip surface and soft components. Lock washer for the thrust bolt at the end of the clamping arm.

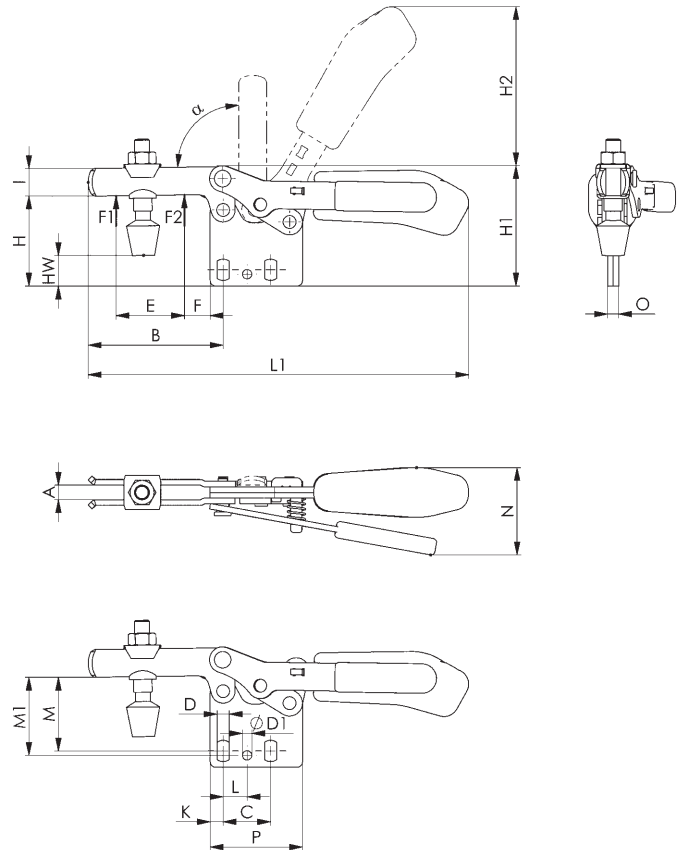
Complete with tempered, matte-black clamping screw no. 6890B.

Order no.	Size	F1 [kN]	F2 [kN]	Clamping screw	Weight [g]
99648	3	1,8	2,5	M8x63	390

Note:

These clamps are suitable for photogrammetric use. The matte-black surface of the clamps prevents reflection while photographing.

For suitable clamping arm extension see no. 6896.



Recommendations



No. 6896,
page 171



No. 6890B,
page 165



No. 6835BS-2,
page 128

Dimensions:

Order no.	Size	A	B	C	D	D1	E	F	H	H1	H2	HW min.	HW max.	I	K	L	L1	M	M1	N	O	P	α
99648	3	8	73	25,7	6,5	5,1	37	14	49	65	86	9	22	15	7	13	206	38-42	42	47	6	50	90°



No. 6835BS-2

Horizontal toggle clamp with safety latch, black

For open and clamped positions. With open clamping arm and vertical, open base.

Matte black surface. Stainless steel rivets, which run in hardened bushes. Bearings are pre-lubricated.

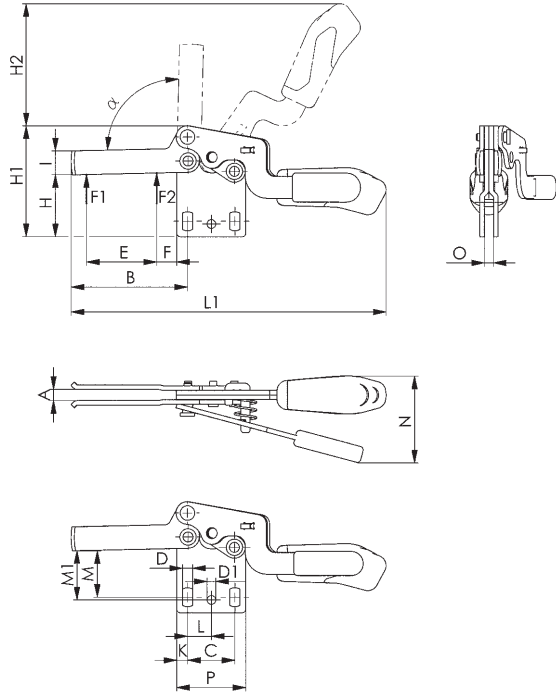
Ergonomic, oil-resistant black handle with large grip surface and soft components. Lock washer for the thrust bolt at the end of the clamping arm.

Order no.	Size	F1 [kN]	F2 [kN]	Weight [g]
90712	2	1,0	1,2	230

Note:

These clamps are suitable for photogrammetric use. The matte-black surface of the clamps prevents reflection while photographing.

For suitable clamping arm extension see no. 6896.



Recommendations



No. 6896,
page 171



No. 6890B,
page 165



No. 6832BS,
page 127

Dimensions:

Order no.	Size	A	B	C	D	D1	E	F	H	H1	H2	I	K	L	L1	M	M1	N	O	P	α
90712	2	6,2	64	26,0	5,6	4,8	38,6	11,0	34	61	67	13,2	6	13,1	173,5	23,0-28,0	27	48,0	5	38	90°

CAD



Subject to technical alterations.

No. 6835BS-3

Horizontal toggle clamp with safety latch, black

For open and clamped positions. With open clamping arm and vertical, open base.

Matte black surface. Stainless steel rivets, which run in hardened bushes. Bearings are pre-lubricated.

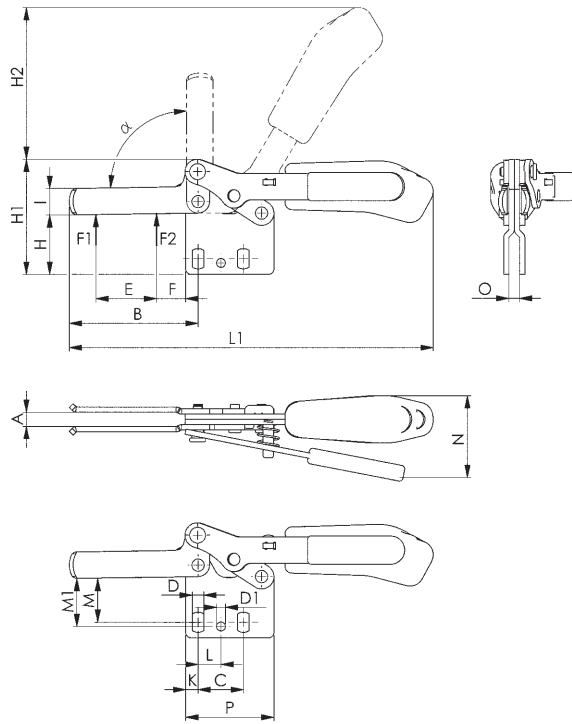
Ergonomic, oil-resistant black handle with large grip surface and soft components. Lock washer for the thrust bolt at the end of the clamping arm.

Order no.	Size	F1 [kN]	F2 [kN]	Weight [g]
90662	3	1,8	2,5	350

Note:

These clamps are suitable for photogrammetric use. The matte-black surface of the clamps prevents reflection while photographing.

For suitable clamping arm extension see no. 6896.



Recommendations



No. 6896,
page 171



No. 6890B,
page 165

Dimensions:

Order no.	Size	A	B	C	D	D1	E	F	H	H1	H2	I	K	L	L1	M	M1	N	O	P	α
90662	3	8,0	73	25,7	6,5	5,1	34,5	16,5	34	65	86	15,0	7	13,0	206,0	22,5-27,5	27	46,5	6	50	90°

CAD



Subject to technical alterations.