

## THE ADVANTAGES OF THE SAFETY LATCH

The patented safety latch will hold the clamping arm of a manual clamp in both the closed and open positions, so that it is protected against unintentional opening or closing through vibration or if the clamp is mounted overhead.

**A clear argument for safety in the workplace!**



### No. 6800S

#### Vertical toggle clamp with red handle and safety latch

for open and clamped positions.

With open clamping arm and horizontal base.

Galvanized and passivated. Stainless steel rivets, which run in hardened bushes. Bearings are pre-lubricated.

Ergonomic, oil-resistant handle with large grip surface and soft components. Safety clamping piece with finger protection. Lock washer for the thrust bolt at the end of the clamping arm.

Complete with tempered, galvanized clamping screw no. 6890.



Order no.	Size	F1 [kN]	F2 [kN]	Clamping screw	Weight [g]
90134	2	0,8	1,2	M6x35	260
90142	3	1,2	2,5	M8x45	470
90159	4	1,7	3,0	M8x65	690

### No. 6800SY

#### Vertical toggle clamp with yellow handle and safety latch



Order no.	Size	F1 [kN]	F2 [kN]	Clamping screw	Weight [g]
557179	2	0,8	1,2	M6x35	260
557180	3	1,2	2,5	M8x45	470
557181	4	1,7	3,0	M8x65	690

### No. 6800SJ

#### Vertical toggle clamp with orange handle and safety latch



Order no.	Size	F1 [kN]	F2 [kN]	Clamping screw	Weight [g]
557417	2	0,8	1,2	M6x35	260
557418	3	1,2	2,5	M8x45	470
557419	4	1,7	3,0	M8x65	690

Subject to technical alterations.

## No. 6800SE

Vertical toggle clamp with blue handle and safety latch



Order no.	Size	F1 [kN]	F2 [kN]	Clamping screw	Weight [g]
557724	2	0,8	1,2	M6x35	260
557725	3	1,2	2,5	M8x45	470
557726	4	1,7	3,0	M8x65	690

## No. 6800SG

Vertical toggle clamp with green handle and safety latch



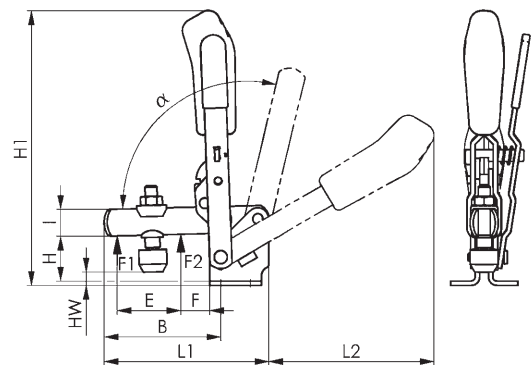
Order no.	Size	F1 [kN]	F2 [kN]	Clamping screw	Weight [g]
557569	2	0,8	1,2	M6x35	260
557570	3	1,2	2,5	M8x45	470
557571	4	1,7	3,0	M8x65	690

## No. 6800ST

Vertical toggle clamp with black handle and safety latch



Order no.	Size	F1 [kN]	F2 [kN]	Clamping screw	Weight [g]
558129	2	0,8	1,2	M6x35	260
558130	3	1,2	2,5	M8x45	470
558131	4	1,7	3,0	M8x65	690



CAD

### Recommendations



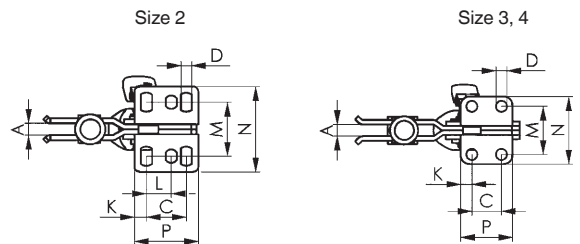
No. 6891,  
page 168



No. 6800,  
page 12



No. 6860,  
page 44



### Dimensions:

Size	A	B	C	D	E	F	H	H1	HW min.	HW max.	I	K	L	L1	L2	M	N	P	$\alpha$	$\alpha^*$
2	6	52	20	5,5	25	11	23,0	139,5	-3	4,5	12	6,0	12,5	78	89	23-31	43	32	105°	60°
3	8	79	20	7,5	36	19	33,0	186,0	2	11,0	18	7,5	-	112	112	32,5	46	35	105°	60°
4	10	101	32	8,6	54	16	42,5	221,0	-6	22,5	20	13,0	-	141	130	45,0	64	53	105°	60°

\* The opening angle can be changed by pressing in a stop pin.

Subject to technical alterations.

## No. 6802S

### Vertical toggle clamp with red handle and safety latch

for open and clamped positions.

With open clamping arm and vertical base.

Galvanized and passivated. Stainless steel rivets, which run in hardened bushes. Bearings are pre-lubricated.

Ergonomic, oil-resistant handle with large grip surface and soft components. Safety clamping piece with finger protection. Lock washer for the thrust bolt at the end of the clamping arm.

Complete with tempered, galvanized clamping screw no. 6890.



Order no.	Size	F1 [kN]	F2 [kN]	Clamping screw	Weight [g]
90209	2	0,8	1,2	M6x35	175
90274	3	1,2	2,5	M8x45	470
90282	4	1,7	3,0	M8x65	690

## No. 6802SY

### Vertical toggle clamp with yellow handle and safety latch



Order no.	Size	F1 [kN]	F2 [kN]	Clamping screw	Weight [g]
557182	2	0,8	1,2	M6x35	175
557183	3	1,2	2,5	M8x45	470
557184	4	1,7	3,0	M8x65	690

## No. 6802SJ

### Vertical toggle clamp with orange handle and safety latch



Order no.	Size	F1 [kN]	F2 [kN]	Clamping screw	Weight [g]
557420	2	0,8	1,2	M6x35	175
557421	3	1,2	2,5	M8x45	470
557422	4	1,7	3,0	M8x65	690

## No. 6802SE

### Vertical toggle clamp with blue handle and safety latch



Order no.	Size	F1 [kN]	F2 [kN]	Clamping screw	Weight [g]
557735	2	0,8	1,2	M6x35	175
557736	3	1,2	2,5	M8x45	470
557737	4	1,7	3,0	M8x65	690

Subject to technical alterations.

## No. 6802SG

Vertical toggle clamp with green handle and safety latch



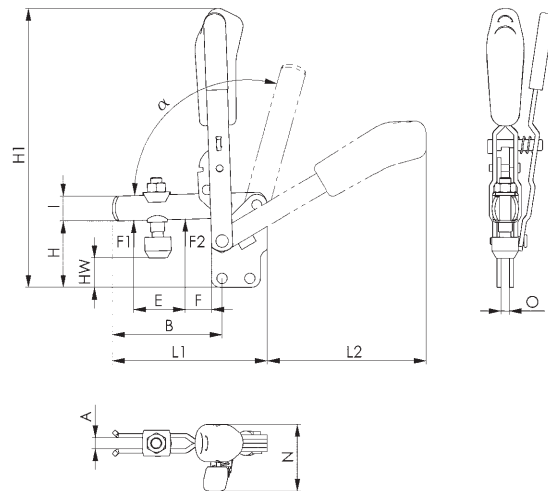
Order no.	Size	F1 [kN]	F2 [kN]	Clamping screw	Weight [g]
557572	2	0,8	1,2	M6x35	175
557573	3	1,2	2,5	M8x45	470
557574	4	1,7	3,0	M8x65	690

## No. 6802ST

Vertical toggle clamp with black handle and safety latch



Order no.	Size	F1 [kN]	F2 [kN]	Clamping screw	Weight [g]
558136	2	0,8	1,2	M6x35	175
558137	3	1,2	2,5	M8x45	470
558138	4	1,7	3,0	M8x65	690



### Recommendations



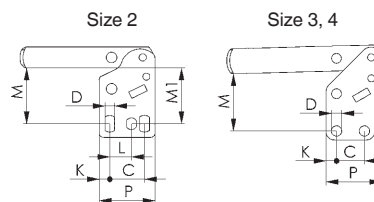
No. 6895,  
page 178



No. 6802,  
page 16



No. 6820A,  
page 138



### Dimensions:

Size	A	B	C	D	E	F	H	H1	HW min.	HW max.	I	K	L	L1	L2	M	M1	N	O	P	$\alpha$	$\alpha^*$
2	6	52	20	5,5	25	11	38	154	11,5	19,5	12	6,0	12,5	78	89	28,5-32	30	37,5	5	32	105°	60°
3	8	79	20	7,5	37	19	48	200	10,0	18,5	18	7,5	-	111	114	41,0	-	48,0	6	40	105°	60°
4	10	101	32	8,6	54	16	65	244	16,5	45,5	20	13,0	-	141	130	55,5	-	53,0	8	53	105°	60°

\* The opening angle can be changed by pressing in a stop pin.

Subject to technical alterations.

## No. 6803S

### Vertical toggle clamp with red handle and safety latch

for open and clamped positions.

With open clamping arm and angled base.

Galvanized and passivated. Stainless steel rivets, which run in hardened bushes. Bearings are pre-lubricated.

Ergonomic, oil-resistant handle with large grip surface and soft components. Safety clamping piece with finger protection. Lock washer for the thrust bolt at the end of the clamping arm.

Complete with tempered, galvanized clamping screw no. 6890.



Order no.	Size	F1 [kN]	F2 [kN]	Clamping screw	Weight [g]
90357	2	0,8	1,2	M6x35	250
90365	3	1,2	2,5	M8x45	535
90373	4	1,7	3,0	M8x65	750

## No. 6803SY

### Vertical toggle clamp with yellow handle and safety latch



Order no.	Size	F1 [kN]	F2 [kN]	Clamping screw	Weight [g]
557202	2	0,8	1,2	M6x35	250
557203	3	1,2	2,5	M8x45	535
557204	4	1,7	3,0	M8x65	750

## No. 6803SJ

### Vertical toggle clamp with orange handle and safety latch



Order no.	Size	F1 [kN]	F2 [kN]	Clamping screw	Weight [g]
557423	2	0,8	1,2	M6x35	250
557424	3	1,2	2,5	M8x45	535
557425	4	1,7	3,0	M8x65	750

## No. 6803SE

### Vertical toggle clamp with blue handle and safety latch



Order no.	Size	F1 [kN]	F2 [kN]	Clamping screw	Weight [g]
557738	2	0,8	1,2	M6x35	250
557739	3	1,2	2,5	M8x45	535
557740	4	1,7	3,0	M8x65	750

Subject to technical alterations.

## No. 6803SG

Vertical toggle clamp with green handle and safety latch



Order no.	Size	F1 [kN]	F2 [kN]	Clamping screw	Weight [g]
557575	2	0,8	1,2	M6x35	250
557576	3	1,2	2,5	M8x45	535
557577	4	1,7	3,0	M8x65	750

## No. 6803ST

Vertical toggle clamp with black handle and safety latch



Order no.	Size	F1 [kN]	F2 [kN]	Clamping screw	Weight [g]
558149	2	0,8	1,2	M6x35	250
558150	3	1,2	2,5	M8x45	535
558151	4	1,7	3,0	M8x65	750

### Recommendations



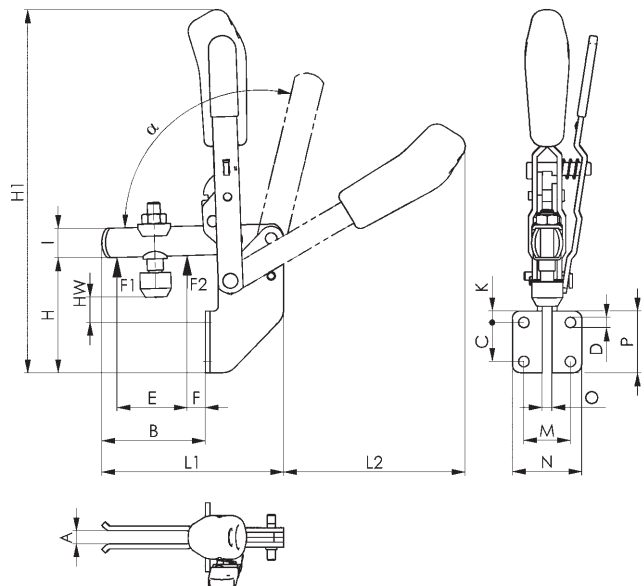
No. 6896,  
page 171



No. 6803,  
page 18



No. 6821A,  
page 139



CAD

### Dimensions:

Size	A	B	C	D	E	F	H	H1	HW min.	HW max.	I	K	L1	L2	M	N	O	P	α	α*
2	6	41	20	6,1	25	6	60,0	176,5	8	15,5	12	6	77	90	25,5	37,0	5	32	105°	60°
3	8	62	24	6,5	37	11	71,0	223,0	9	17,5	18	7	110	112	28,5	42,5	6	38	105°	60°
4	10	83	32	8,5	54	11	101,5	280,0	11	39,5	20	54	141	129	32,0	52,0	8	96	105°	60°

\* The opening angle can be changed by pressing in a stop pin.

Subject to technical alterations.

## No. 6804S

### Vertical toggle clamp with red handle and safety latch

for open and clamped positions.

With solid clamping arm and horizontal base.

Galvanized and passivated. Stainless steel rivets, which run in hardened bushes. Bearings are pre-lubricated.

Ergonomic, oil-resistant handle with large grip surface and soft components. Safety clamping piece with finger protection.

Complete with tempered, galvanized clamping screw no. 6890 and sleeve to weld on.



Order no.	Size	F1 [kN]	F2 [kN]	Clamping screw	Weight [g]
90399	3	1,4	2,5	M8x45	470
90407	4	2,0	3,0	M8x65	690

## No. 6804SY

### Vertical toggle clamp with yellow handle and safety latch



Order no.	Size	F1 [kN]	F2 [kN]	Clamping screw	Weight [g]
557205	3	1,4	2,5	M8x45	470

## No. 6804SJ

### Vertical toggle clamp with orange handle and safety latch



Order no.	Size	F1 [kN]	F2 [kN]	Clamping screw	Weight [g]
557426	3	1,4	2,5	M8x45	470

## No. 6804SE

### Vertical toggle clamp with blue handle and safety latch



Order no.	Size	F1 [kN]	F2 [kN]	Clamping screw	Weight [g]
557746	3	1,4	2,5	M8x45	470

Subject to technical alterations.

## No. 6804SG

Vertical toggle clamp with green handle and safety latch



Order no.	Size	F1 [kN]	F2 [kN]	Clamping screw	Weight [g]
557578	3	1,4	2,5	M8x45	470

## No. 6804ST

Vertical toggle clamp with black handle and safety latch



Order no.	Size	F1 [kN]	F2 [kN]	Clamping screw	Weight [g]
558155	3	1,4	2,5	M8x45	470

### Recommendations



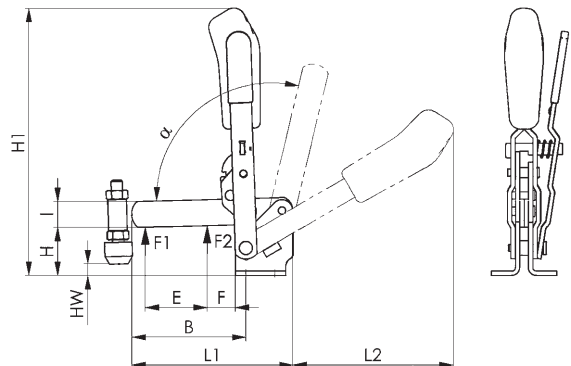
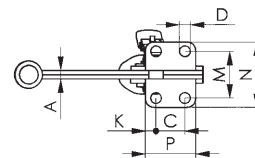
No. 6886,  
page 168



No. 6804,  
page 20



No. 6834S,  
page 78



### Dimensions:

Size	A	B	C	D	E	F	H	H1	HW min.	HW max.	I	K	L1	L2	M	N	P	$\alpha$	$\alpha^*$
3	6	81	20	7,1	43	19	48,0	186	0	12	18	7,5	112	112	32	46	35	105°	60°
4	8	101	32	8,5	61	16	42,5	220	-8	21	20	13,0	140	130	45	64	53	105°	60°

\* The opening angle can be changed by pressing in a stop pin.

Subject to technical alterations.