

No. 6835BO

Horizontal toggle clamp with open-holder, black

With open clamping arm and vertical, open base. Matt black surface. Stainless steel rivets, which run in hardened bearing bushes. Bearing positions are greased. Ergonomic, oil-resistant black handle with large grip surface and soft components. Retainer for the clamping screw on the clamp arm end.

Order no.	Size	F1 [kN]	F2 [kN]	Weight [g]
565863	2	1,0	1,2	195

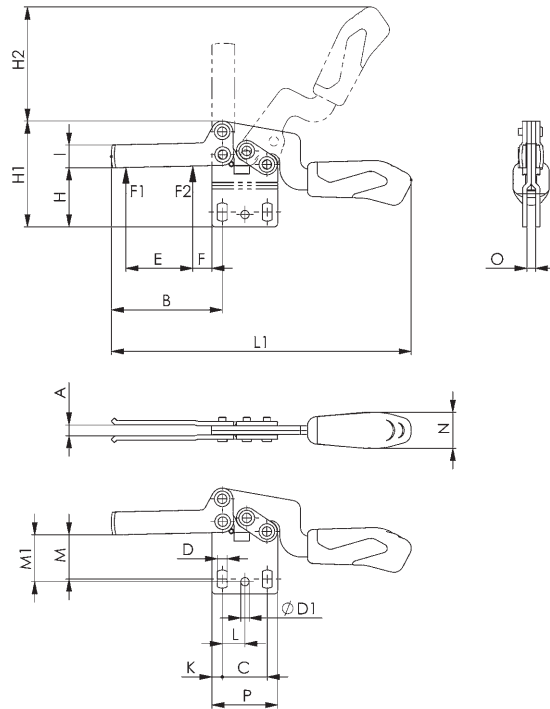
Application:

This clamp can be loaded at the forward position on the clamping arm (F1) with an additional weight of up to 350 g without causing the open clamping arm to close again. The clamping arm remains open even if the clamp is installed in an inclined position.

This clamp is especially suitable for hard-to-reach areas, as an additional unlock mechanism does not have to be actuated.

Note:

These clamps are suitable for photogrammetric use. The matt-black surface of the clamps prevents reflection while photographing. For a suitable clamping arm extension, see no. 6896.



Recommendations



No. 6896,
page 171



No. 6890B,
page 165



No. 6835BS-2,
page 128

Dimensions:

Order no.	Size	A	B	C	D	D1	E	F	H	H1	H2	I	K	L	L1	M	M1	N	O	P	α
565863	2	6,2	64	26	5,6	4,8	38,6	11	34	61	67	13,2	6	13,1	173,5	23 - 28	27	21	5	38	90°



Subject to technical alterations.