

## No. 6842

### Heavy-duty push-pull type toggle clamp with red handle

#### For push and pull-clamping.

(Equal operation of rod and lever). Heavy-duty version with long rod-guide. Base (body) made of malleable cast iron, varnished. Lever parts and push rod made of tempered steel, galvanized and passivated. Rivets made of stainless steel, which, for size 3, run in hardened bearing bushes. Bearing positions are greased. Ergonomic, oil-resistant handle with large grip surface and soft components.

Complete with tempered, galvanized clamping screw no. 6880.



Order no.	Size	F1 [kN]	F2 [kN]	Clamping screw	Weight [g]
94235	3	4	4	M 8x35	540
94250	5	10	10	M12x50	1115
94276	7	25	25	M12x50	2840

## No. 6842Y

### Heavy-duty push-pull type toggle clamp with yellow handle



Order no.	Size	F1 [kN]	F2 [kN]	Clamping screw	Weight [g]
557171	5	10	10	M12x50	1115
557172	7	25	25	M12x50	2840

## No. 6842J

### Heavy-duty push-pull type toggle clamp with orange handle



Order no.	Size	F1 [kN]	F2 [kN]	Clamping screw	Weight [g]
557403	5	10	10	M12x50	1115
557404	7	25	25	M12x50	2840

## No. 6842E

### Heavy-duty push-pull type toggle clamp with blue handle



Order no.	Size	F1 [kN]	F2 [kN]	Clamping screw	Weight [g]
557714	5	10	10	M12x50	1115
557715	7	25	25	M12x50	2840

## No. 6842G

Heavy-duty push-pull type toggle clamp with green handle



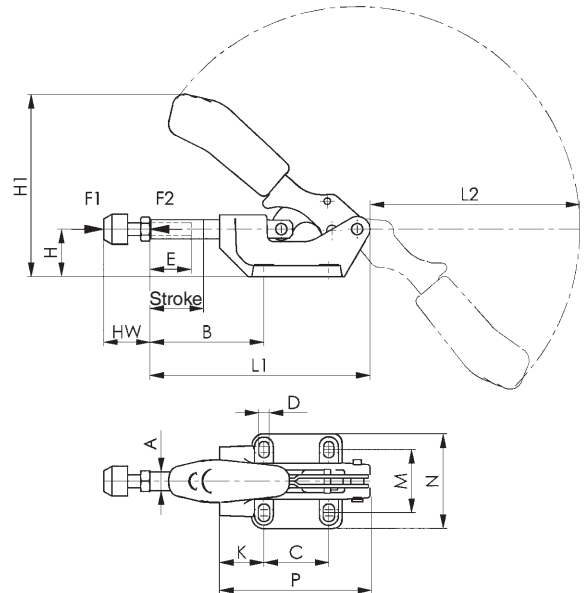
Order no.	Size	F1 [kN]	F2 [kN]	Clamping screw	Weight [g]
557561	5	10	10	M12x50	1115
557562	7	25	25	M12x50	2840

## No. 6842T

Heavy-duty push-pull type toggle clamp with black handle



Order no.	Size	F1 [kN]	F2 [kN]	Clamping screw	Weight [g]
558054	5	10	10	M12x50	1115
558055	7	25	25	M12x50	2840



CAD

### Recommendations



No. 6841, page 46



No. 6842PL, page 57



No. 6860, page 44

### Dimensions:

Size	A	B min.	B max.	C	D	E	H	H1	Stroke	HW min.	HW max.	K	L1	L2	M	N	P
3	12	40	72	41	6,5	30	30	116,0	32	22	35	28	139	135	36-44	60	95
5	16	58	98	41	8,5	50	38	137,5	40	30	50	45	174	156	41-50	71	121
7	22	59	105	70	11,0	50	55	179,0	50	30	50	45	218	192	57-65	93	158

Subject to technical alterations.

## No. 6842PK

### Heavy push-pull type toggle clamp

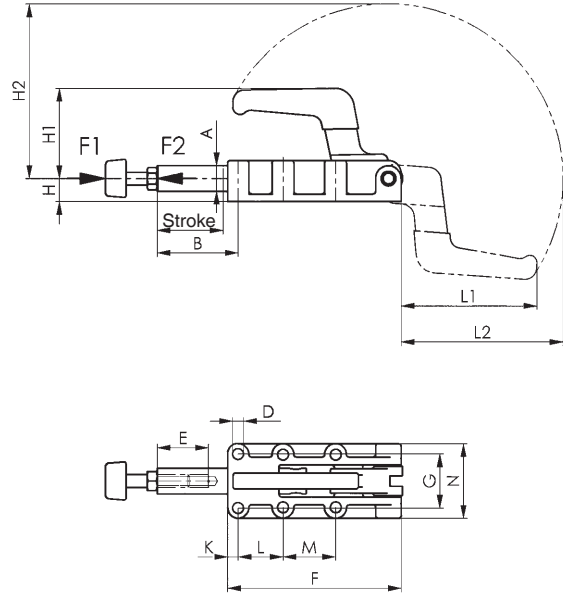
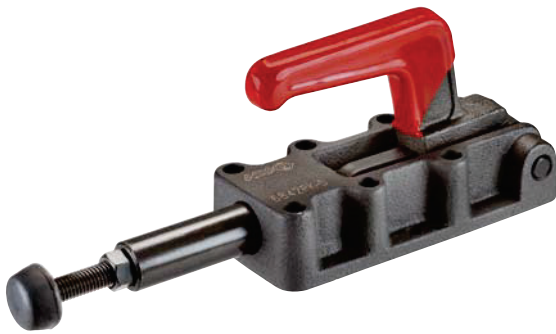
with solid lever. For push- and pull-clamping.  
(Equal operation of rod and lever).

Heavy-duty version with long rod-guide. Base of malleable casting, burnished. Hardened pins. Lever-parts and rod of tempered steel, burnished. Handle made of red, oil-resistant plastic.

Complete with tempered, galvanized clamping screw no. 6880.



Order no.	Size	F1 [kN]	F2 [kN]	Clamping screw	Weight [g]
92544	4	7	7	M 8x35	590
92569	5	12	12	M10x50	1650
92585	7	25	25	M12x50	4150
92601	8	45	45	M16x80	7420



#### Recommendations



No. 6800,  
page 12



No. 6811P,  
page 26



No. 6842PL,  
page 57

#### Dimensions:

Order no.	Size	A	B	D	E	F	G	H	H1	H2	Stroke	K	L	L1	L2	M	N
92544	4	14	63	5,5	30	90	33,3	12	42,5	96	32	25,0	36,5	69,0	88,0	-	47
92569	5	20	63	8,5	50	137	41,0	18	70,0	136	50	8,0	35,0	105,0	126,0	41	58
92585	7	25	114	10,5	50	198	54,0	22	93,5	196	75	12,0	45,0	151,5	183,5	45	84
92601	8	30	149	10,5	60	254	57,0	28	111,5	247	106	14,5	70,0	196,0	232,0	70	86

## No. 6842PL

### Heavy push-pull type toggle clamp

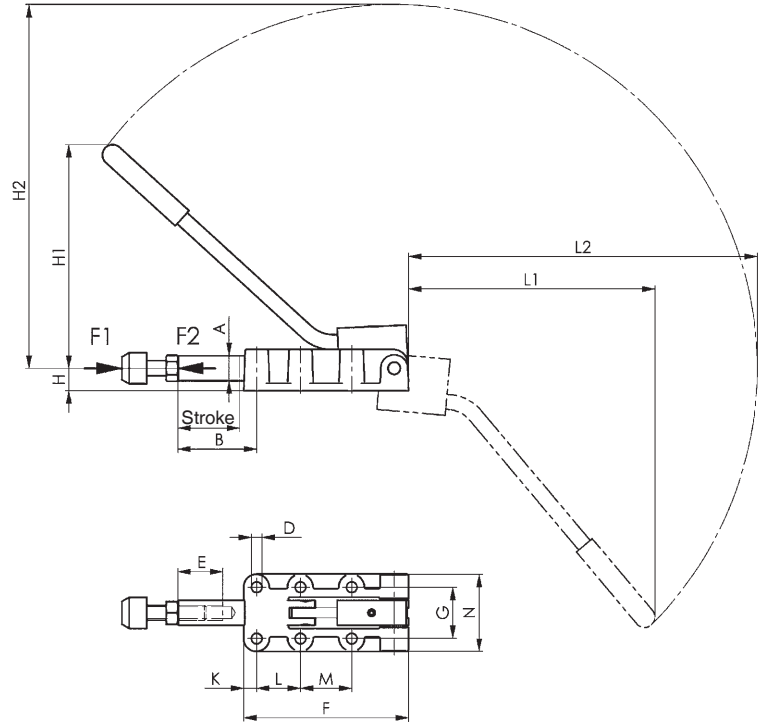
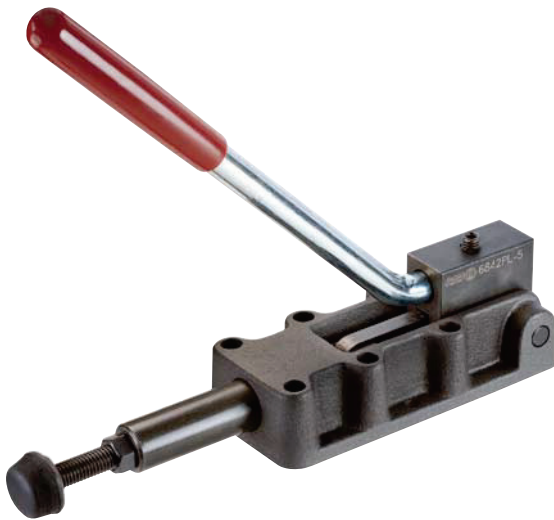
with reversible lever. For push- and pull-clamping.  
(Equal operation of rod and lever).

Heavy-duty version with long rod-guide. Base of malleable casting, burnished. Hardened pins. Lever parts and rod made of tempered steel, burnished. Zinc-coated and passivated lever with handle made of red oil-resistant plastic.

Complete with tempered, galvanized clamping screw no. 6880.



Order no.	Size	F1 [kN]	F2 [kN]	Clamping screw	Weight [g]
92627	4	7	7	M 8x35	650
92643	5	12	12	M10x50	1600
92668	7	25	25	M12x50	4280
92684	8	45	45	M16x80	7720



#### Recommendations



No. 6830,  
page 32



No. 6842,  
page 54



No. 6842PK,  
page 56

#### Dimensions:

Order no.	Size	A	B	D	E	F	G	H	H1	H2	Stroke	K	L	L1	L2	M	N
92627	4	14	63	5,5	30	90	33,3	12	115,0	190,0	32	25,0	36,5	128	182	-	47
92643	5	20	63	8,5	50	137	41,0	18	178,5	290,5	50	8,0	35,0	197	279	41	58
92668	7	25	114	10,5	50	198	54,0	22	246,0	392,0	75	12,0	45,0	267	374	45	84
92684	8	30	149	10,5	60	254	57,0	28	323,0	523,0	106	14,5	70,0	365	501	70	86