

## No. 6850A

### Push type pneumatic toggle clamp

Push-type clamp.

Heavy version for long working life. Pneumatic cylinder with magnetic piston for end-position monitoring. Console galvanized and passivated, clamp body made of malleable iron casting, painted. Lever parts and push rod made of tempered steel, galvanized and passivated. Stainless steel rivets. Bearing positions are greased.

Complete with tempered, galvanised clamping screw no. 6880.



Order no.	Size	F1 [kN]	F3 [kN]	F5 [kN]	Vn [dm³]	Clamping screw	Weight [g]
560007	3	4	2,5	0,75	0,14	M8 x 35	2610
560008	5	10	5,0	1,00	0,37	M12 x 50	5265
560009	7	25	10,0	1,80	0,78	M12 x 50	6120

F3 = maximum clamping force at 6 bar.

Vn = Air consumption per double stroke in dm³ at 6 bar.

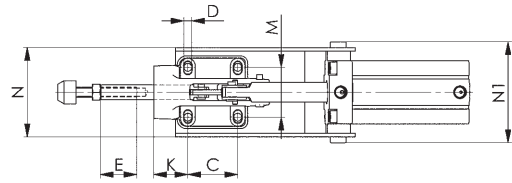
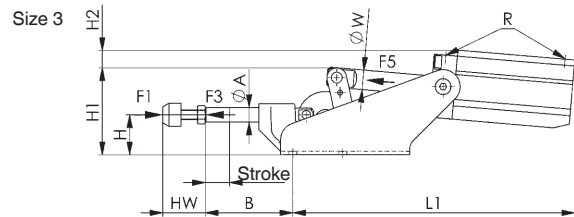
#### Note:

Sizes 5 and 7 are not to design, and have long consoles.

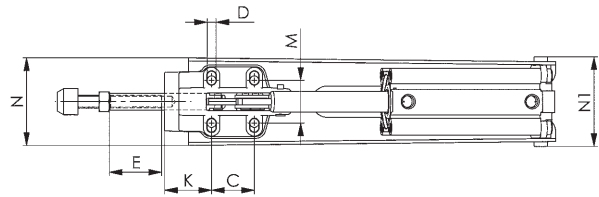
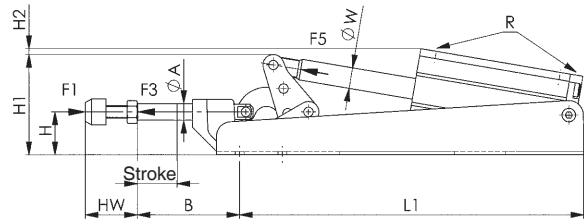
Suitable proximity switches for end-position monitoring are available using order no. 392241.

0.3 m PUR cable with M8 connector and rotatable knurled nuts.

Switching function: NOC. Output: PNP.



Size 5, 7



#### Recommendations



No. 6880,  
page 166

#### Dimensions:

Order no.	Size	dia. A	B	C	D	E	H	H1	H2	Stroke	HW min.	HW max.	K	L1	M	N	N1	R	dia. W	Piston dia.
560007	3	12	72	41	6,5	30	33	72	22	20	21,5	35	28	232	41	73,5	83	G1/8	16	40
560008	5	16	98	41	8,5	50	41	96	22	29	30,0	50	45	316	41	84,0	86	G1/4	20	50
560009	7	22	105	70	11,0	50	59	128	29	38	30,0	50	45	422	57	114,0	93	G1/4	20	63

Subject to technical alterations.

## No. 6820P

### Pneumatic toggle clamp

With horizontal cylinder attachment.

Plastic pneumatic cylinder, double-acting and ready to connect. Clamps galvanized and passivated, rivets made of stainless steel, which, for sizes 2 and 3, run in hardened bearing bushes. Bearing positions are greased.

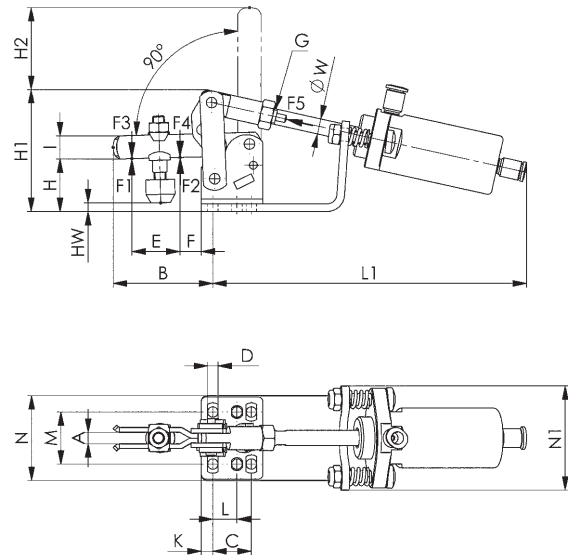
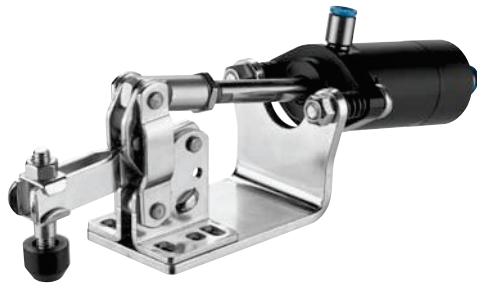
**Complete with tempered, galvanised clamping screw no. 6890.** The console is self-supporting and must be clear of other surfaces.



Order no.	Size	F1 [kN]	F2 [kN]	F3 [kN]	F4 [kN]	F5 [N]	Vn [dm <sup>3</sup> ]	Clamping screw	Weight [g]
559791	0	0,5	0,7	0,07	0,09	38	0,03	M4 x 25	125
559792	1	0,8	1,1	0,13	0,18	60	0,06	M5 x 30	400
559793	2	1,0	1,2	0,35	0,50	170	0,17	M6 x 35	600
559794	3	1,4	2,5	0,55	1,00	265	0,30	M8 x 45	800

F3 or F4 = max. achievable clamping force at 6 bar.

Vn = air consumption per double stroke in dm<sup>3</sup> at 6 bar.



#### Recommendations



No. 6890,  
page 164

#### Dimensions:

Order no.	Size	A	B	C	D	E	F	G	H	H1	H2	HW min.	HW max.	I	K
559791	0	4	31	13,5	4,5	14	5,5	M4	20	46	23,0	-1	6	8	5,0
559792	1	5	39	16,0	4,5	18	6,0	M6	22	50	34,5	-2	5	10	6,0
559793	2	6	52	20,0	5,4	25	11,0	M8	27	63	42,5	1	8	12	6,0
559794	3	8	78	20,0	7,1	37	19,0	M10 x 1,25	38	84	69,0	7	16	18	7,5

Order no.	Size	L	L1	M	N	N1	dia. W	Piston dia.	Outside-Ø for compressed air tubing
559791	0	-	132	23	33	29	4	10	4
559792	1	-	145	24	34	33	6	12	6
559793	2	12,5	163	27	44	54	8	20	6
559794	3	-	205	32	50	59	10	25	6

## No. 6820A

### Pneumatic clamp

with horizontal cylinder attachment.  
Fitted with pneumatic cylinder, double-acting. **With magnetic piston for end-position monitoring.** With throttle bores for reduced speed. Clamps are galvanised and passivated. Stainless steel rivets which, for sizes 2 to 4, run in hardened bearing bushes. Bearings positioned are lubricated.

**Complete with tempered, galvanised clamping screw no. 6890.**

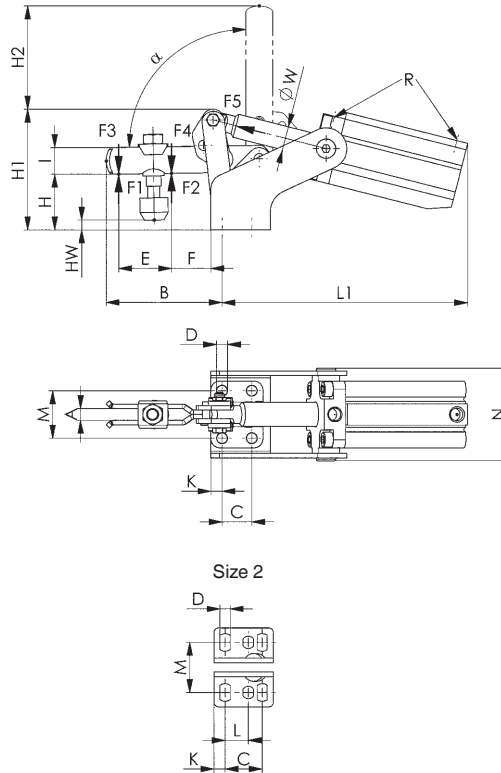


Order no.	Size	F1	F2	F3	F4	F5	Vn [dm <sup>3</sup> ]	Clamping screw	Weight [g]
		[kN]	[kN]	[kN]	[kN]	[kN]			
555061	1	0,8	1,1	0,20	0,3	0,10	0,08	M5 x 30	320
555062	2	1,0	1,2	0,70	1,0	0,30	0,26	M6 x 35	600
555063	3	1,0	2,5	0,65	1,1	0,50	0,35	M8 x 45	1005
555064	4	2,0	3,0	1,50	2,2	0,75	0,80	M8 x 65	1520

F3 or F4 = max. achievable clamping force at 6 bar.  
Vn = air consumption per double stroke in dm<sup>3</sup> at 6 bar.

### Note:

Suitable proximity switches for end-position monitoring are available using order no. 392241. 0.3 m PUR cable with M8 connector and rotatable knurled nuts.  
Switching function: NOC. Output: PNP.



### Recommendations



No. 6895,  
page 178



No. 6821A,  
page 139

### Dimensions:

Order no.	Size	A	B	C	D	E	F	H	H1	H2	HW min.	HW max.	I	K	L	L1	M	N	R	dia. W	Piston dia.	Opening angle $\alpha$
555061	1	5	39,0	16	4,5	18	6	21,0	51,0	34,0	-2,0	4,5	10	6,0	-	126,0	24	50,0	M5	8	16	92,0°
555062	2	6	51,5	20	5,5	25	11	26,0	62,0	42,5	-1,0	7,0	12	6,0	12,5	145,0	27	54,5	M5	12	25	91,5°
555063	3	8	78,0	20	7,5	36	19	36,5	82,0	69,0	5,4	14,0	18	7,5	-	165,5	32	62,5	G1/8	16	32	90,0°
555064	4	10	101,0	32	8,6	45	25	45,0	99,5	92,0	-3,0	25,5	20	13,0	-	196,0	45	77,5	G1/8	16	40	90,5°

## No. 6821A

### Pneumatic clamp

with vertical cylinder structure.  
 Space-saving angled form. Vertical or horizontal mounting.  
 Fitted with pneumatic cylinder, double-acting. **With magnetic piston for end-position monitoring.** With throttle bores for reduced speed. Clamps are galvanised and passivated.  
 Stainless steel rivets, which run in hardened bearing bushes.  
 Bearings positioned are lubricated.  
**Complete with tempered, galvanised clamping screw no. 6890.**

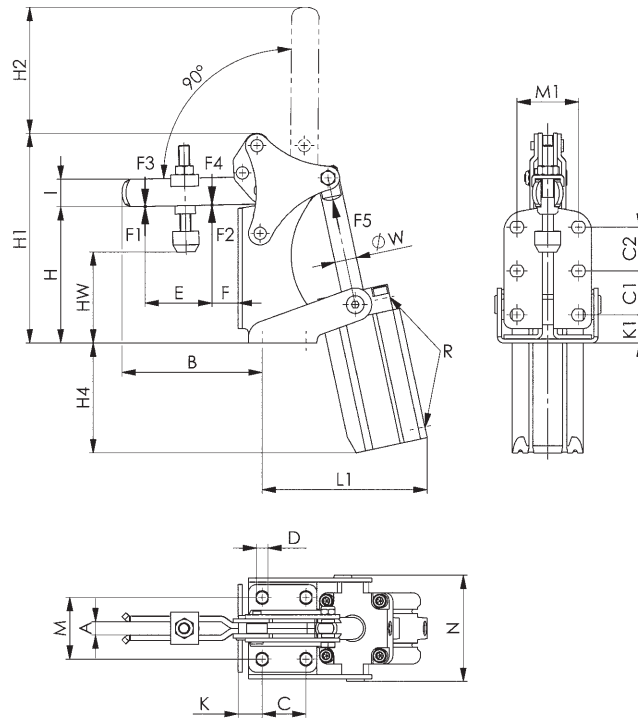


Order no.	Size	F1 [kN]	F2 [kN]	F3 [kN]	F4 [kN]	F5 [kN]	Vn [dm <sup>3</sup> ]	Clamping screw	Weight [g]
555065	2	1	1,2	0,70	1,0	0,30	0,26	M6 x 35	625
555066	3	1	2,5	0,65	1,1	0,50	0,35	M8 x 45	1025
555067	4	2	3,0	1,50	2,2	0,75	0,80	M8 x 65	1700

F3 or F4 = max. achievable clamping force at 6 bar.  
 Vn = air consumption per double stroke in dm<sup>3</sup> at 6 bar.

#### Note:

Suitable proximity switches for end-position monitoring are available using order no. 392241. 0.3 m PUR cable with M8 connector and rotatable knurled nuts.  
 Switching function: NOC. Output: PNP.



#### Recommendations



No. 6895,  
page 178



No. 6829V,  
page 143



No. 6826A,  
page 142

#### Dimensions:

Order no.	Size	A	B	C	C1	C2	D	E	F	H	H1	H2	H4	HW min.	HW max.	I	K	K1	L1	M	M1	N	R	dia. W	Piston dia.
555065	2	6	56,5	12,5	12,5	12,5	5,6	25	6,5	65,0	100,5	43	67,5	38,4	45,0	12	15,3	15,9	83,0	27	26,6	54,5	M5	12	25
555066	3	8	80,5	16,0	16,0	-	6,5	36	12,5	68,7	114,5	69	78,0	38,0	46,5	18	16,5	17,5	96,0	25	25,0	62,5	G1/8	16	32
555067	4	10	102,0	32,0	32,0	32,0	8,5	49	19,0	100,0	153,0	92	80,0	51,0	80,0	20	17,5	20,5	123,5	45	45,0	77,5	G1/8	16	40