

No. 6210IH

Assembly element K20, hydraulic, with indexing

Housing: tempered steel, gas-nitrided and oxidised.
Clamping module: cover and piston hardened.



Order no.	Size	Pull-in/locking force up to	Holding force*	Weight
		[kN]	[kN]	[g]
534412	K20	20	55	7154

Application:

The assembly element is used to clamp with repeat accuracy workpieces or fixtures directly onto the hydraulic clamping module K20 with 4-point indexing via pull-studs.

This clamping system can be used to move workpieces to the required machining height in the machine for 5-sided machining, or for the safe and quick clamping of workpieces with ledges and different clamping heights on the machine table.

Advantage:

Simple, quick and flexible clamping of complex workpiece contours on the machine table. Especially suitable for levelling workpieces or clamping fixtures at the necessary machine heights in the machine tool and for the reliable clamping of same.

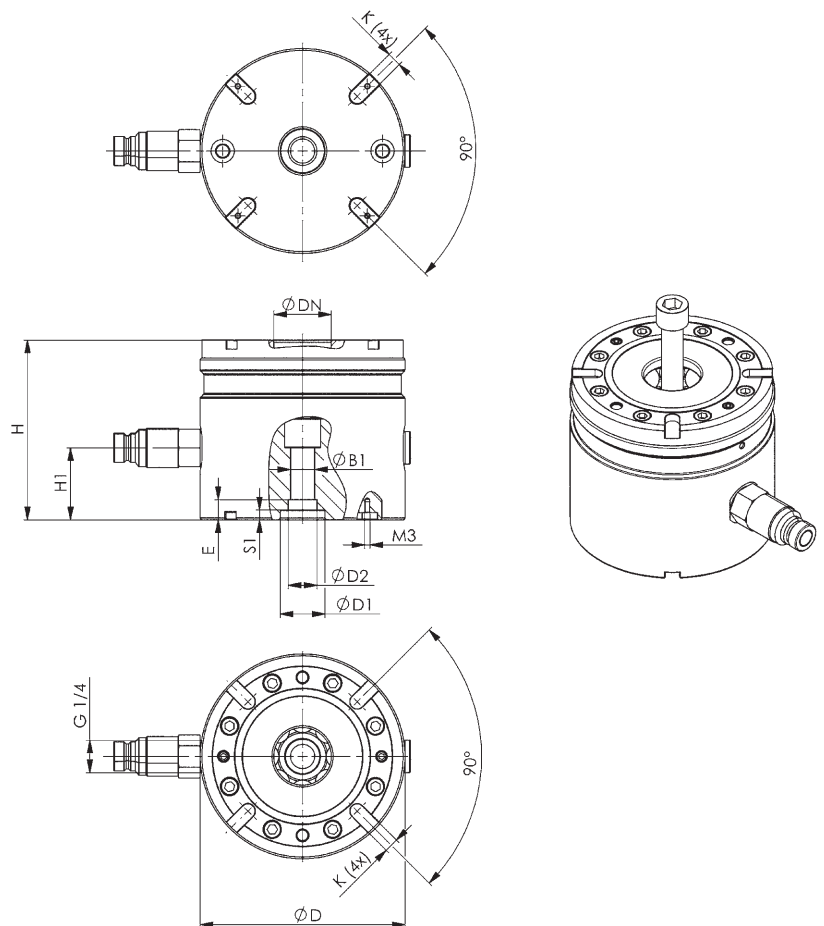
Note:

Order no. for the centering sleeve $\varnothing 16$ mm: 78006

Order no. for the slot nuts: 430264

The hydr. quick-release coupling, connector version, and the fastening screw are supplied as standard.

* Please observe the installation instructions.



Dimensions:

Order no.	Size	dia. B1	dia. D	dia. D1 0/+0,01	dia. D2 F7	dia. DN	E	H ± 0.01	H1	K F6	S1
534412	K20	13,5	114	25	16	32	11,25	100	40	8	5,5



CAD