

No. 6210L-10-05

## Adapter clamping module K5, pneum. to K10

Housing: tempered steel, gas-nitrided and oxidised.  
Clamping module: cover and piston hardened.

Order no.	Size	Pull-in/locking force up to	Holding force*	Weight
		[kN]	[kN]	[g]
534768	K05	1,5	13	2272

### Application:

The adapter element is used to reduce the intermediate element size K10 to the pneumatic clamping module K5. Workpieces or fixtures can be clamped with repetition accuracy directly onto the pneumatic clamping module K5 using pull-studs.

This clamping system can be used to move workpieces to the required machining height in the machine for 5-sided machining, or for the safe and quick clamping of workpieces with ledges and different clamping heights on the machine table.

### Advantage:

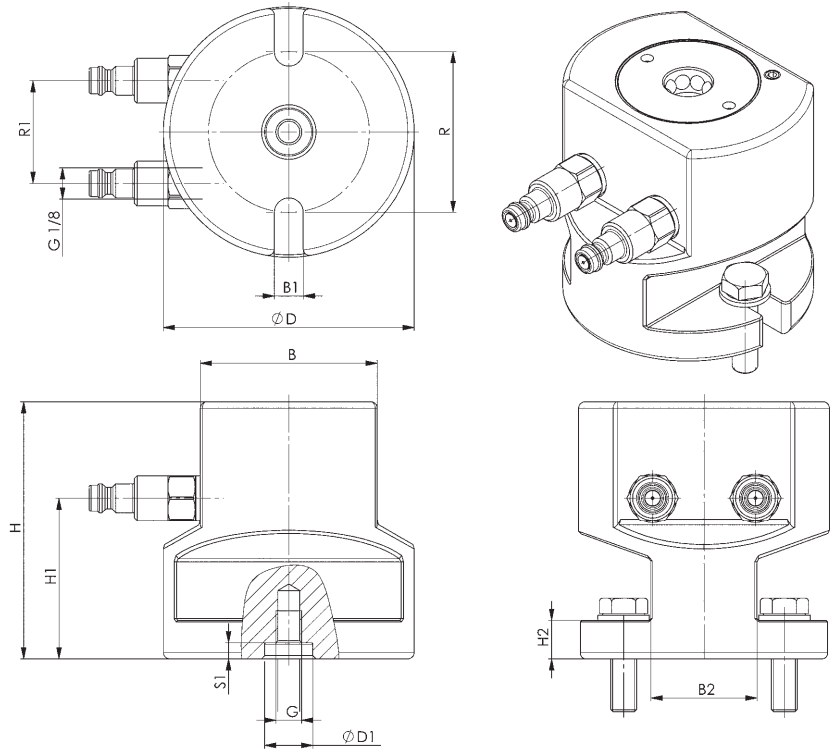
Simple, quick and flexible clamping of complex workpiece contours on the machine table. Especially suitable for levelling workpieces or clamping fixtures at the necessary machine heights in the machine tool and for the reliable clamping of same.

### Note:

Order no. for the centering sleeve  $\varnothing$  16 mm: 78006

The pneum. quick-release coupling, connector version, and the fastening screws are supplied as standard.

\* Please observe the installation instructions.



### Dimensions:

Order no.	Size	B	B1	B2	dia. D	$\varnothing$ D1 F7	G	H $\pm 0.01$	H1	H2	R	R1	S1
534768	K05	59	9	33	78	15	M8	80	52	12	50	32	5

CAD



Subject to technical alterations.